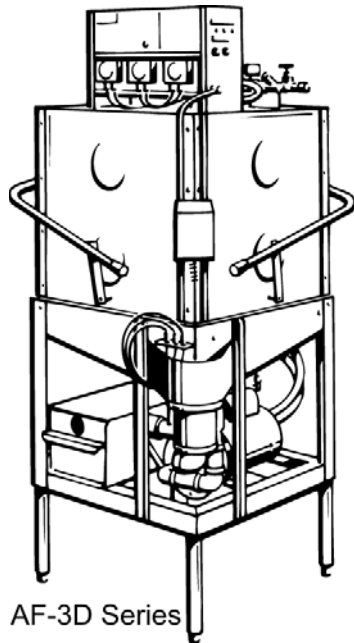


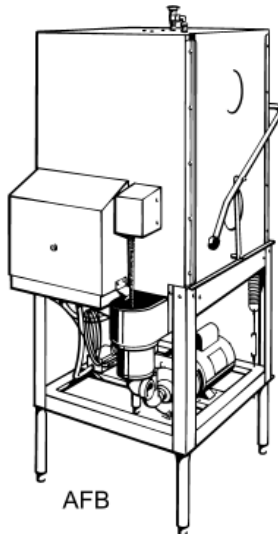
American Dish Service

ADS UPRIGHT DISHWASHERS

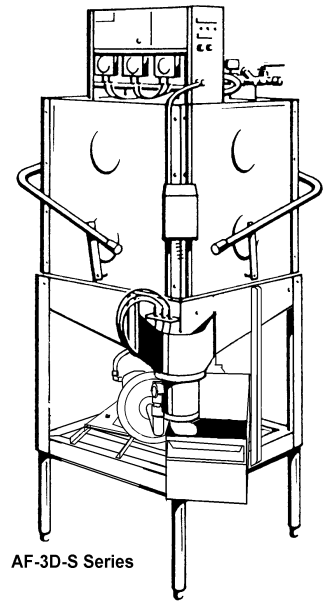
MODELS: AF/AFC-3D, AF/AFC-3DS, LW/LWC, 5AG, AF/AFC/AFB, AD25



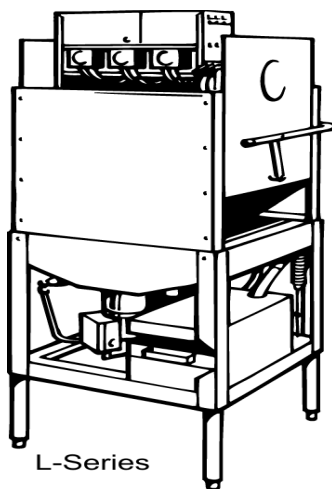
AF-3D Series



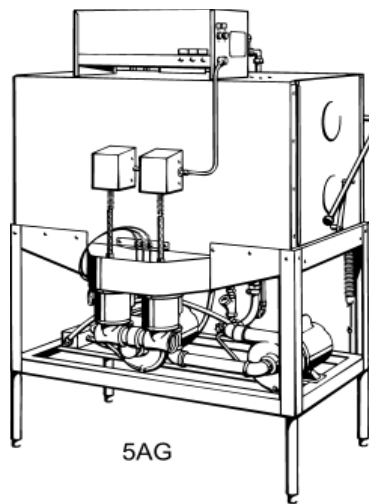
AFB



AF-3D-S Series



L-Series



5AG

SERVICE MANUAL

900 Blake Street
Edwardsville, Kansas 66111
(913)-422-3700

IMPORTANT:

American Dish Service provides this information as a service to our customers. Keep all instructions for future reference. Although ADS will make every effort to make sure the information in this service manual is correct and up-to-date, ADS does not certify that this is the case, and should you decide to utilize this manual, you do so at your own risk. ADS reserves the right to alter or update this information at any time with out notice. Should you desire to make sure that you have the most up-to-date information, we would direct you to the appropriate document on our web site: www.AmericanDish.com. **The instructions and guidelines in this owners manual are given with the assumption that the dishwasher has been installed, operated, and maintained properly and in accordance with all applicable Codes, Ordinances, and Safety requirements. Failure to install, operate, and maintain the machine in this manner will void the ADS Warranty. ADS assumes no liability or control over the installation, maintenance(service), or operation of the equipment. Product failure due to improper installation, maintenance, and operation is not covered under the ADS Warranty.**

WARNING:

During the operation of all dishmachines, chemicals, high voltage electricity, and normal operational functions can cause harm, bodily injury, or worse if proper installation, operation, and maintenance are not observed. It is imperative that the operator(s) are trained in the operation and made aware of the hazards that can exist. This is the responsibility of the owner of this equipment. When installing, operating, or maintaining your dishwasher you must follow all applicable safety requirements, including the wearing of approved personal protective equipment.

CONTENTS

1.0	GENERAL
2.0	OPERATOR PROCEDURES
3.0	INSTALLATION
4.0	CHEMICALS
5.0	PREVENTIVE MAINTENANCE
6.0	TROUBLESHOOTING
7.0	REPAIR PROCEDURES
8.0	REPLACEMENT PARTS
9.0	SERVICE BULLETIN
10.0	SPECIFICATION SHEETS

1.0 GENERAL

The ADS Dish machine is a manually loaded chemical sanitizing dish washing machine intended for use in restaurants or other food service facilities. The standard 20" x 20" rack is loaded with dishes, moved into the machine and the doors are closed. The operator presses the cycle start button and the machine operates. The cycle may range from 60 - 150 seconds depending on the specific model. During operation the operator may prepare the next rack of dishes. When the cycle is complete the operator moves the clean dishes out and the next rack of dirty dishes is placed in the machine.

The machine contains only enough water to fill the pump and spray system and cover the dishes. At the beginning of each cycle, detergent is metered into the wash water and the dishes are sprayed at high pressure. Rotating arms assure complete and even coverage. These arms are powered by the action of the spray and therefore require no drive mechanism.

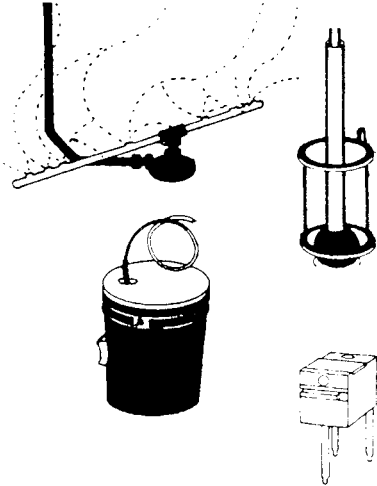
When washing is complete a solenoid raises the stopper at the bottom of the sump, and soiled wash water drains by gravity from the machine. As water drains it washes the intake screen, thus removing food particles and soil and carrying it into a separate scrap trap.

Near the end of drain, the fresh water solenoid valve opens and water flows through the pump and spray system. This Pre-Rinse carries away soap, soil and wash water from the dishes, cabinet and spray system. At the end of the Pre-Rinse cycle the drain closes and final rinse commences.

A chlorine based sanitizing chemical and a rinse aid are metered into the rinse water which is sprayed under high pressure on the dishes. The chemical sanitizing agent provides greater germ killing ability in 140° rinse water than conventional machines with 180° rinse. The rinse aid causes water to flow from the dishes in sheets rather than collect as drops. This exposes more surface to the air allowing it to dry faster and at the same time prevents water spots from remaining on the dishes.

Rinse water remains in the sump to be recycled as wash water for the next rack. By purging the machine of soil and detergent, recycling the rinse and using chemicals for sanitization, only a very small amount of low temperature water is required which results in an economical and energy efficient machine.

2.0 OPERATOR PROCEDURES

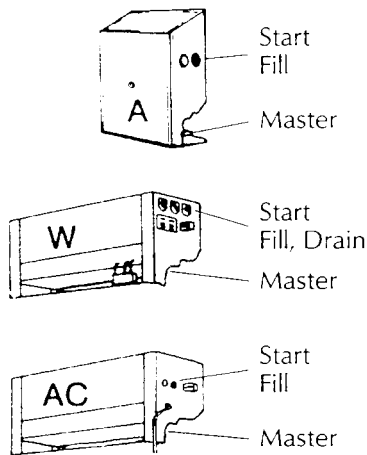


Daily Start-Up

The following procedure should be followed at the beginning of each shift:

1. Inspect spray arms, drain screen, drain stopper and operating mechanism for cleanliness.
2. Inspect chemical containers to insure adequate supply for shift.
3. Inspect Scrap Trap and clean as required.
4. Turn on "Master Switch".

5. Fill machine with water using "Fill Switch". If water temperature gauge has not reached 120° F (49° C) when the water level is just below overflow, drain water from the machine and continue to fill until proper temperature is attained. Drain is accomplished with the "drain" switch on Model W and ET series machines and by manually lifting the drain ball on Model A and Model 5 series.



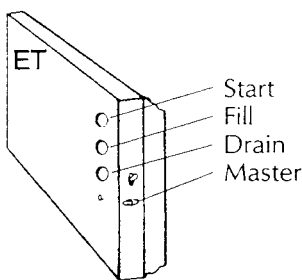
6. With doors raised, move first rack into machine. Dishes must be "pre-scraped", i.e. remove large food particles, bones, toothpicks, seeds, and standing water.

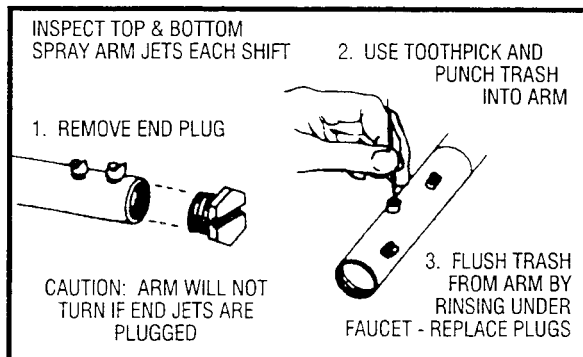
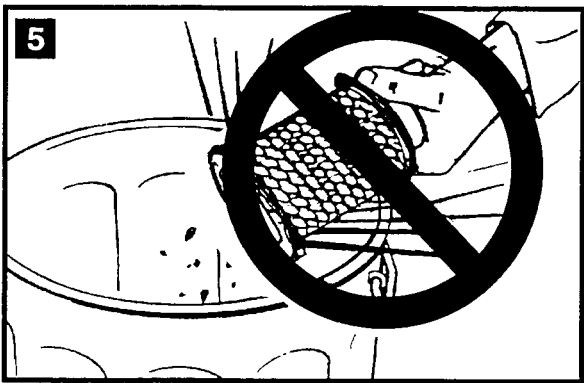
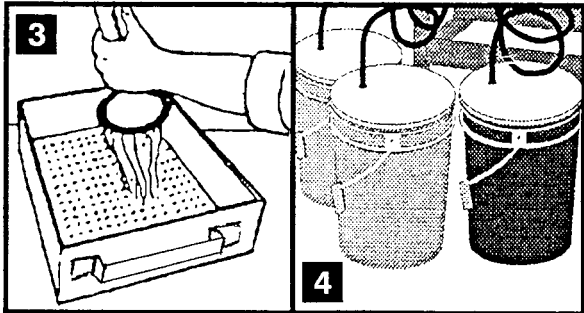
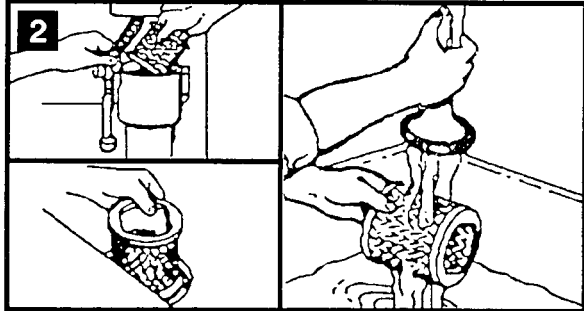
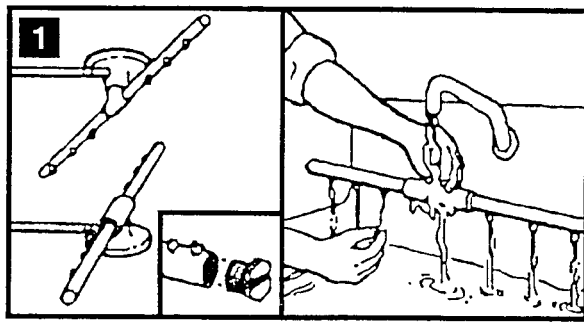
7. Close doors and press the "Start" button.

8. While machine is operating, prepare subsequent racks for washing.

9. When the operating cycle is complete and machine has stopped, raise doors and remove dish rack for drying.

10. If it should become necessary to stop the machine during the cycle use the "MASTER SWITCH".





After Each Meal:

- 1** Drain the machine to clean. Remove End Plugs to clean upper and lower spray arms. If spray jets are clogged, use a toothpick to open, and rinse under faucet. Arms will not turn if jets are clogged.
- 2** Remove drain screen. Thoroughly clean screen by scrubbing with heavy brush. Rinse under faucet and reinstall.
- 3** Remove and clean Scrap Tray. Rinse with spray. Check chemical buckets regularly and replace any empty buckets.
- 4** Check to be sure red feeder tube is in the red labeled bucket, (detergent). Check to be sure green feeder tube is in green labeled bucket, (sanitizer). Check to be sure blue feeder tube is in blue labeled bucket, (rinse additive).
- 5 CAUTION:** Do not beat screen against garbage can rim. This will damage the screen.

Daily Maintenance

At the end of each shift the operator should do the following:

1. Drain water from the machine using the drain switch or by lifting the drain ball.
2. Remove spray arms and spray arm caps. Clean thoroughly.
3. Remove stopper and drain screen on AF, AFC and 5AG models. Remove screen only on AFW, AFWC and ET models. Clean thoroughly.
4. Clean other food or soil from interior surfaces and clean cabinet exterior with soap and water.
5. Replace spray arms, drain screen and stopper.
6. Clean Scrap Trap.

3.0 INSTALLATION

See Installation Manual

3.1 START-UP

Perform the following start-up procedure. This should be done by a qualified service representative.

1. Check voltage rating on nameplate and confirm that electrical supply is correct.
2. Visually inspect machine for defects, shipping damage or improper installation.
3. Prime chemical pumps.
4. Take a cc vial and collect samples from each chemical tube outlet during a normal cycle and adjust the chemical delivery accordingly.
5. Check spray arms and doors for proper operation.
6. Fill and operate machine. Insure that water level is correct and all components work properly.
7. Wash several loads of dishes including glasses and silverware. Insure that chemicals are metered in the appropriate quantities and that dishes are clean.
8. Re-check for leakage of plumbing, pump or cabinet.
9. Confer with owner to insure that he understands the operation and is satisfied with the start-up.

3.2 REGISTRATION

Record Model #, Serial # and other necessary information on Warranty Card and forward to:

American Dish Service
900 Blake Street
Edwardsville, KS 66111

4.0 CHEMICALS

All ADS machines require detergent and sanitizer for proper operation. A rinse-aid may be used if desired.

Selection of the proper chemicals and the correct amounts will depend on several factors. Proper selection is vital if optimum results are to be realized. It may be necessary to change chemicals or adjust the quantity after the initial selection. Initial settings on chemical cams are adjusted by the factory at 10cc of detergent, 5 cc of sanitizer, and 5cc of Rinse-Aid.

Detergent

Detergent is used to “emulsify” grease and loosen soil. Emulsification is a process which suspends grease in solution. The detergent also reduces surface tension of the water.

The detergent selected must be designed for low-energy warewashing. Always use established brands.

The proper quantity of detergent may vary over a wide range, and depends on the following factors:

1. Water hardness.
2. Type and amount of soil.
3. Length of time the dishware stands.
4. Iron content of water.
5. Detergent formulation.

For this reason, your chemical distributor should be consulted to determine the amount which will give you the best results with the lowest detergent usage. Your distributor should use a test kit to test water hardness before making a recommendation. After the machine has been in use or if conditions change, the setting can be readjusted for optimum results.

Sanitizer

Sanitizer should be 6% solution of sodium hypochlorite. The initial setting is 5cc and this should be checked regularly with a Chlorine Test Kit. Free chlorine in the final rinse should be 50 ppm or more. However, high concentrations can cause deterioration of metal.

Rinse-Aid

Rinse-aid reduces surface tension and causes the rinse water to run off in sheets rather than collect in droplets. This exposes more water surface to the air which allows the glasses to dry faster and prevents spot formation.

The optimum amount of rinse-aid varies depending on many of the same factors that affect detergent usage. Consult your commercial chemical supplier.

Water Softeners

In many cases, a water softener should be added to correct for hard water conditions which impede the operation of the unit. Contact ADS for complete details.

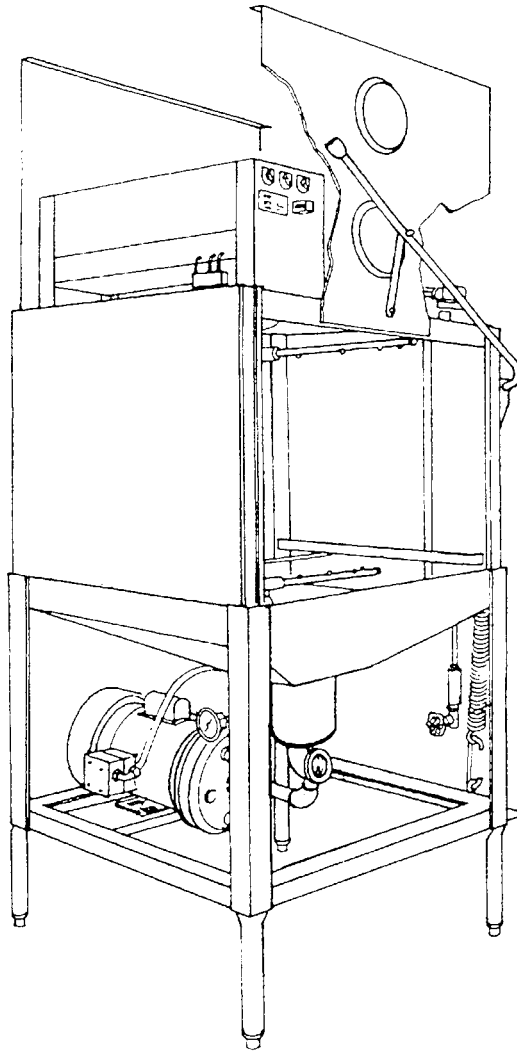
Hard water can be treated with more expensive chemicals, but it is more efficient and cheaper in cost to soften the water before it comes to the dishmachine.

**CAUTION: DO NOT WASH SILVER OR SILVERPLATE
WITH CHLORINE TYPE SANITIZER!**

5.0 PREVENTIVE MAINTENANCE

Machine should be inspected approximately once a month. The following steps will help to eliminate costly repair bills.

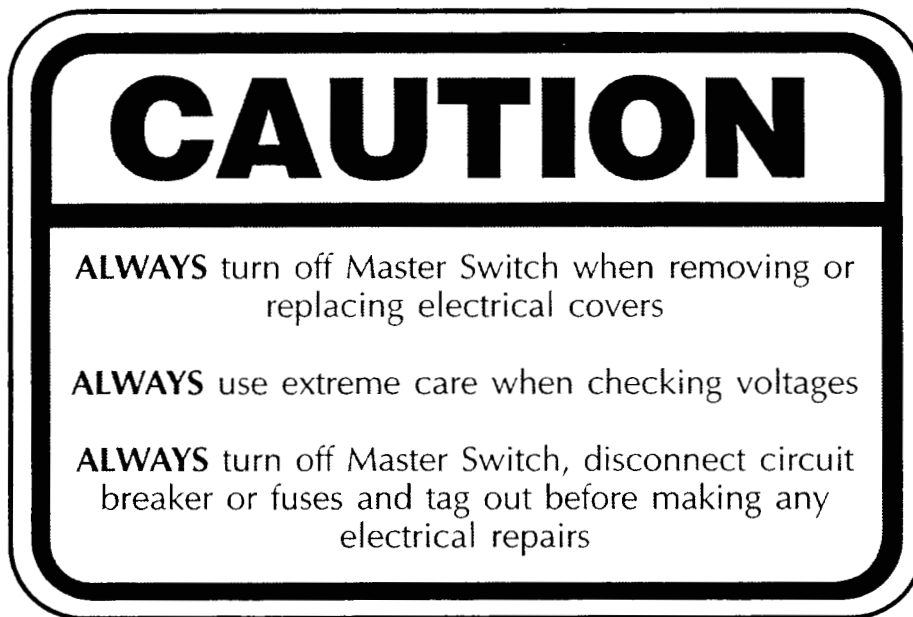
1. Check that all operator procedures (2.2) have been followed.
2. Inspect spray arm thumb screws to insure they are finger-tight.
3. Inspect drain ball for wear.
4. Manually spin spray arms to insure that bearings and pivots are operational.
5. Operate doors and inspect smooth operation.
6. Slide a tray of dishes into and through machine to insure proper alignment of tray track and dishtable.
7. Using manual switch, inspect fill rate by draining and refilling. If rate is slow, the line strainer screen and/or solenoid valve may need servicing.



8. Remove control system cover and:
 - a. Inspect cycle counter.
 - b. Inspect peristaltic pumps and rotors. If necessary lubricate.
 - c. Inspect chemical intake and discharge tubes.
 - d. Inspect squeeze tubes.
 - e. Inspect timer for wear or damage.
 - f. Inspect wiring for loose or broken connections.
9. Cycle machine and:
 - a. Listen for rhythm of spray arms.
 - b. Listen at pump intake for surge due to cavitation.
 - c. Inspect chemical pick up tubes.
 - d. Inspect vacuum breaker valve for leaks.
 - e. Inspect timer for proper mechanical operation.
 - f. Observe water level to insure machine has completely drained prior to start of pre-rinse.
10. Test chlorine concentration using test paper. 50 ppm minimum.

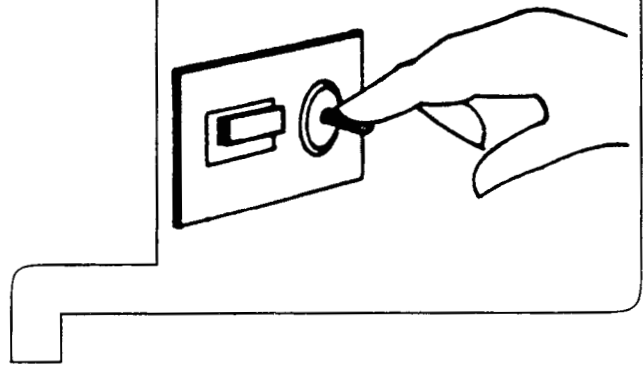
6.0 TROUBLESHOOTING

Scope - This section should be used to isolate problems if the machine malfunctions. The following charts will diagnose most problems that may be encountered with the exception of those which are rather obvious. When a diagnosis has been made and confirmed, refer to Section 7.0 for repair procedures.

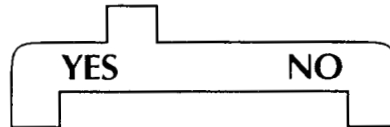


6.1

MACHINE WILL NOT OPERATE

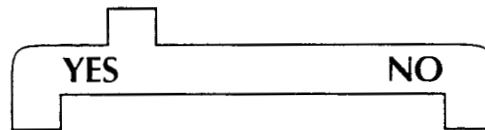


Is there voltage between black and white wires at junction box?



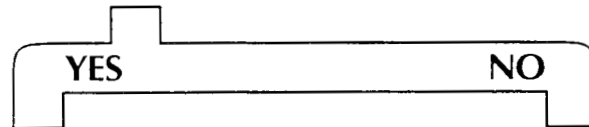
Is there voltage between black and white wires at master switch?

Determine cause and remedy (3.0)



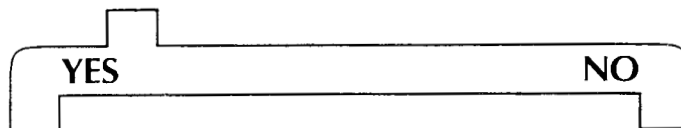
Is there voltage between red and white wires at master switch with switch on?

Repair loose connection or replace master switch (7.4)



Is there voltage between yellow and white wires on timer motor with "start" switch depressed?

Replace master switch

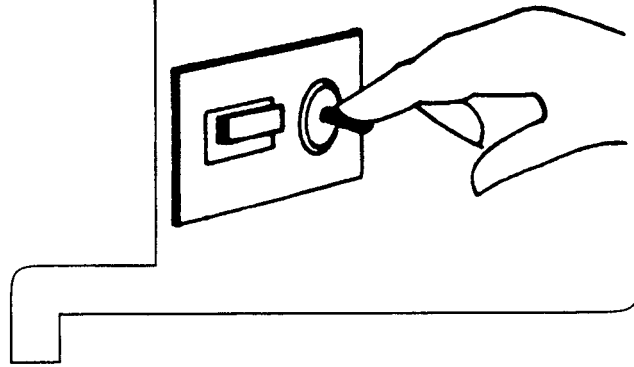


Replace loose connection (7.4)

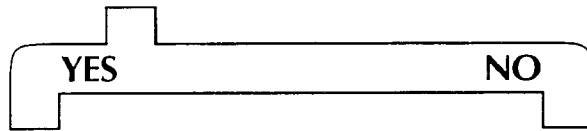
Replace start switch (7.4)

6.2

MACHINE WILL NOT STOP

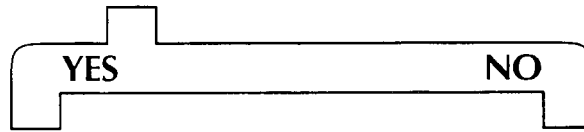


Does timer stop at the end of the cycle?



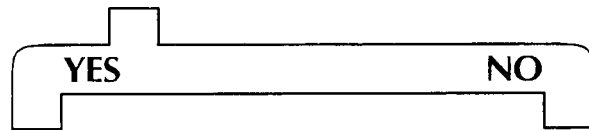
Will machine stop with instant start relay removed?

Test mercury relay



Will machine stop with yellow wire removed from start switch?

Replace instant start relay

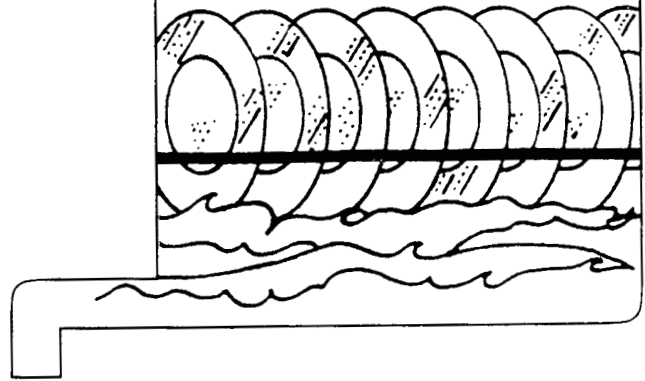


Replace #1 micro switch

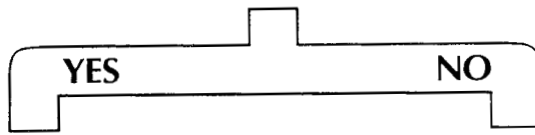
Replace start switch

6.3

DISHES NOT CLEAN BUT MACHINE OPERATES



Is detergent supply depleted?



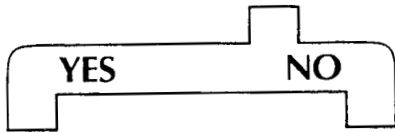
Replenish

Does detergent flow?



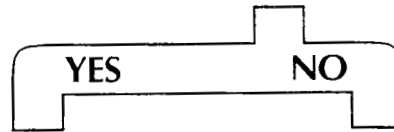
Do spray arms rotate at 40 - 60 RPM?

Does detergent pump operate?



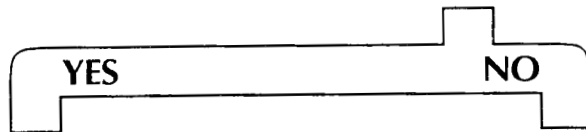
Check spray arm pressure (7.2)

Refer to 6.5



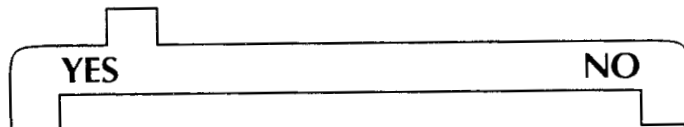
Is cam adjusted properly?

Refer to 6.21



Is squeeze tube worn?

Adjust (7.4)

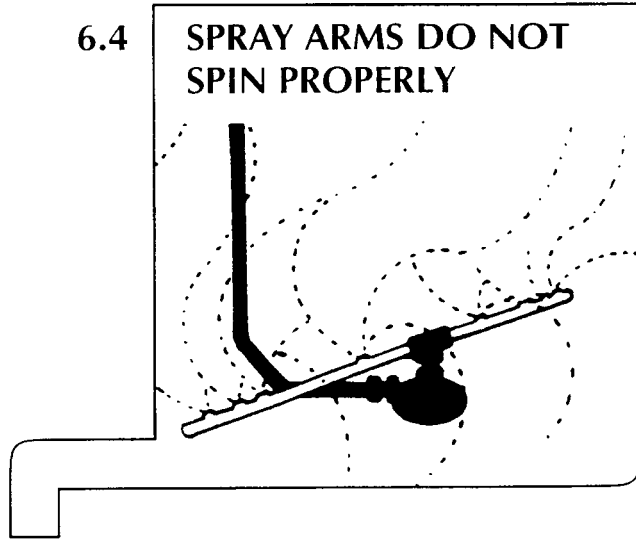


Replace (7.4)

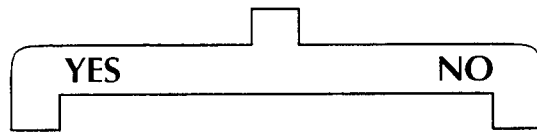
Check for air leak in suction tube

6.4

SPRAY ARMS DO NOT SPIN PROPERLY

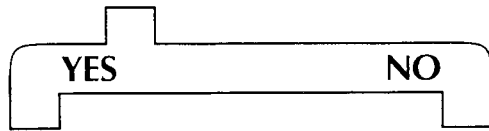


Are spray arms clean?



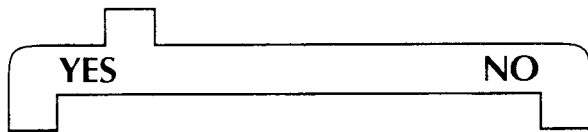
Are bearings free?

Clean spray arms (2.2)



Is water level just below overflow?

Replace bearings and/or spray arms (7.2)

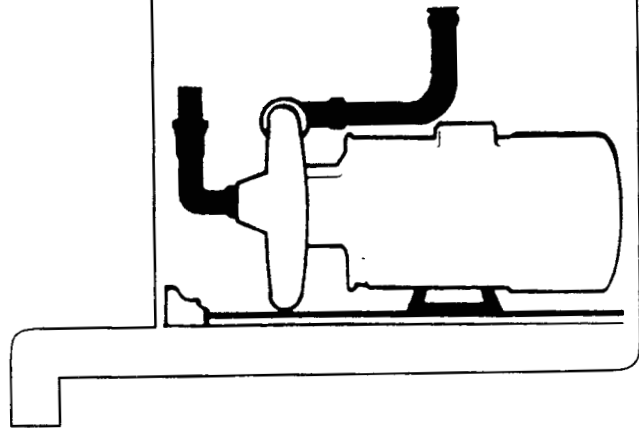


Check spray arm pressure (7.2)

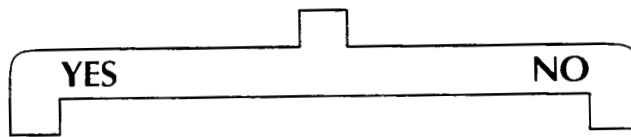
Adjust water level (7.4)

6.5

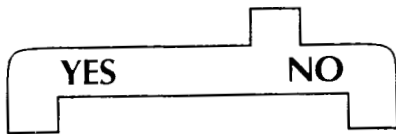
LOW OR UNSTEADY PUMP PRESSURE



Does pressure fluctuate?



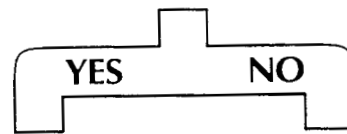
Does pressure become steady when water is added to machine?



Increase the water level (7.4)

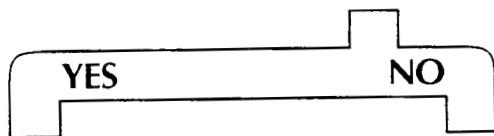
Is air leaking thru anti-foam check valve?

Are spray jets worn?



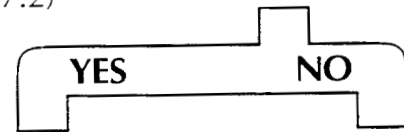
Replace spray arm (7.2)

Is impeller clean?



Replace diaphragm (7.5)

Check for air leakage at pump intake plumbing and repair

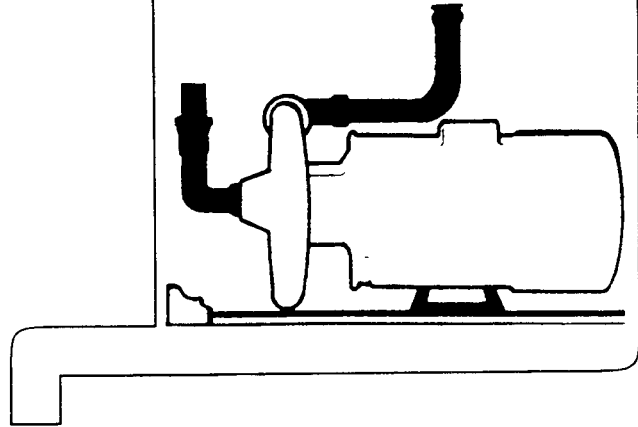


Implement anti-vapor lock modification (7.4)

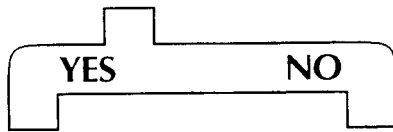
Clean impeller

6.6

**RECIRCULATING PUMP
WILL NOT STOP**

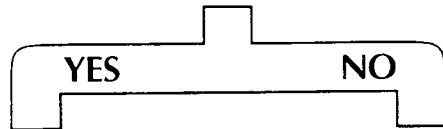


Does timer advance?



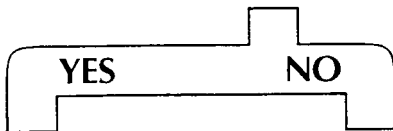
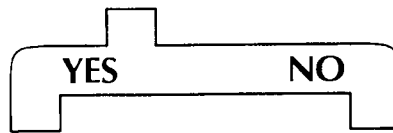
Does timer stop at end of cycle?

Replace timer motor (7.4)



Is there voltage
between brown and
white wires on
mercury relay at end
of cycle?

Does instant start relay operate properly?



Replace #1 timer
switch (7.4)

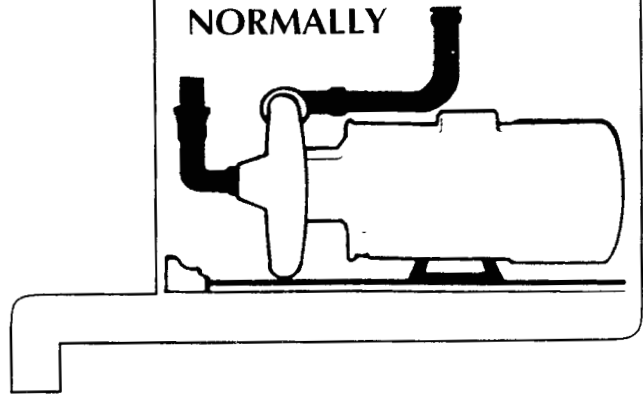
Replace instant start
relay (7.4)

Replace #1 timer
switch (7.4)

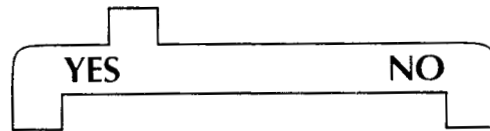
Replace mercury relay (7.4)

6.7

**RECIRCULATING PUMP
DOES NOT OPERATE BUT
MACHINE CYCLES
NORMALLY**

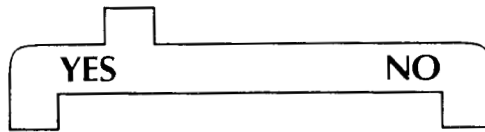


Is there voltage between brown and white wires at mercury relay?



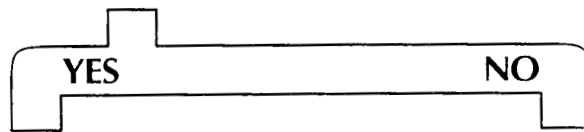
Does float in relay move?

Repair loose connection (7.4)



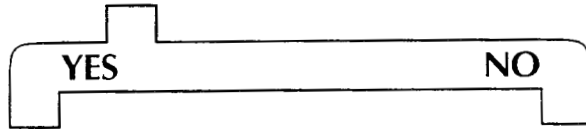
Is there voltage between black and white wires at relay?

Replace relay (7.4)



Is there voltage at pump motor connection?

Replace relay (7.4)

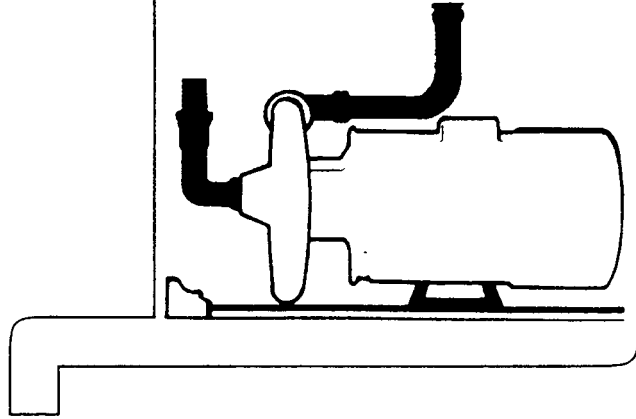


Replace pump motor (7.4)

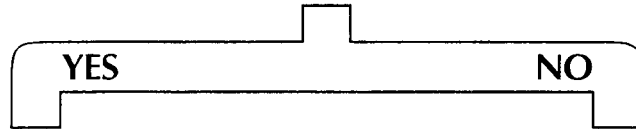
Repair loose connection (7.4)

6.8

**MOTOR STOPS AFTER
SHORT TIME**



Is wiring correct at
junction box on motor?

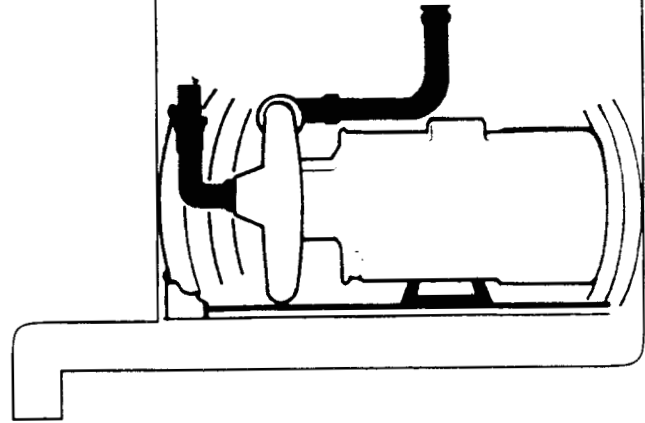


Replace motor (7.3)

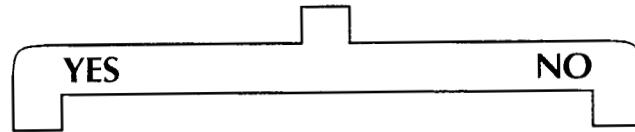
Rewire correctly (7.3)

6.9

NOISY RECIRCULATING PUMP



Are bearings "rough" when motor shaft is turned manually from the back of motor?

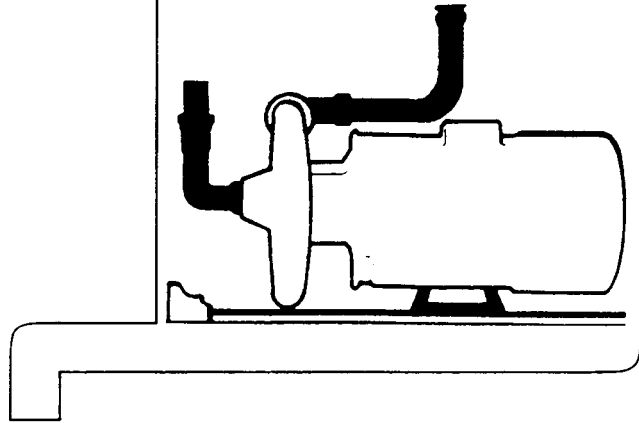


Replace motor (7.3)

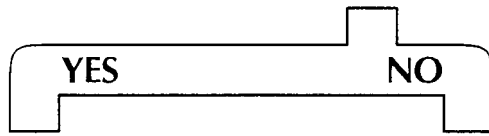
Clean impeller (7.3)

6.10

**RECIRCULATING PUMP
LEAKS**

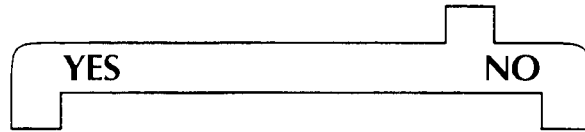


Is leak at shaft?



Replace seal (7.3)

Is leak at gasket
between front and
rear housing?

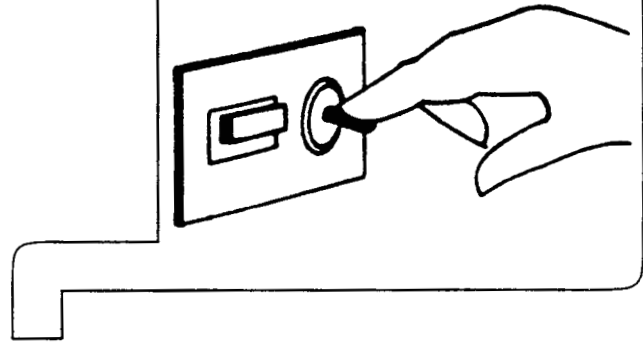


Replace gasket (7.3)

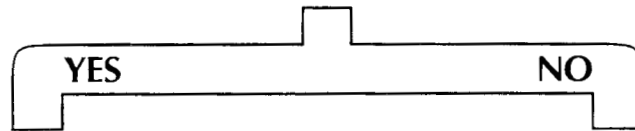
Remove fitting or bolt where
leakage occurs and replace using
sealant or tape (7.3)

6.11

**MACHINE WILL NOT
CYCLE BUT
RECIRCULATING PUMP
OPERATES**

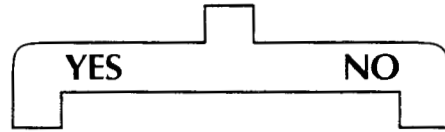


Will timer advance when start switch is continually depressed?



Is there voltage between yellow wire on #1 timer switch and white wire on master switch?

Is there voltage between yellow and white wires at timer motor?



Repair loose connection(s) (7.4)

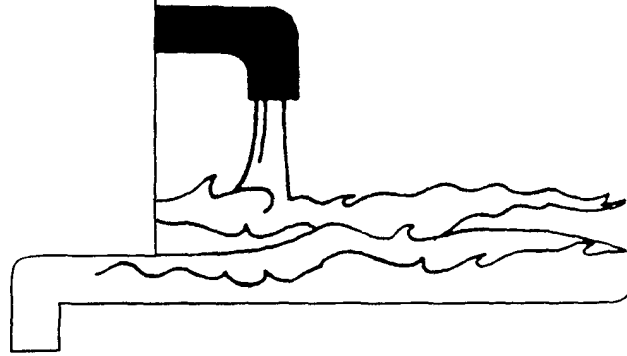
Replace #1 timer switch (7.4)

Replace timer motor (7.4)

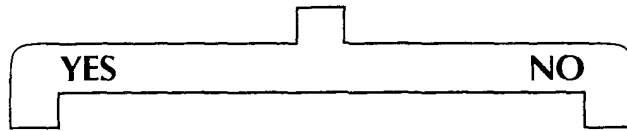
Repair loose connection (7.4)

6.12

FILL WATER WILL NOT STOP

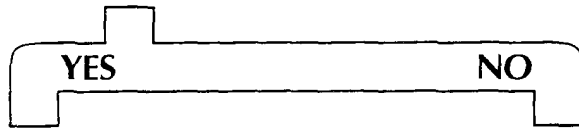


Does flow stop when master switch is turned off?



With black wire disconnected from fill switch and master switch on, does flow stop?

Service solenoid valve diaphragm (7.5)

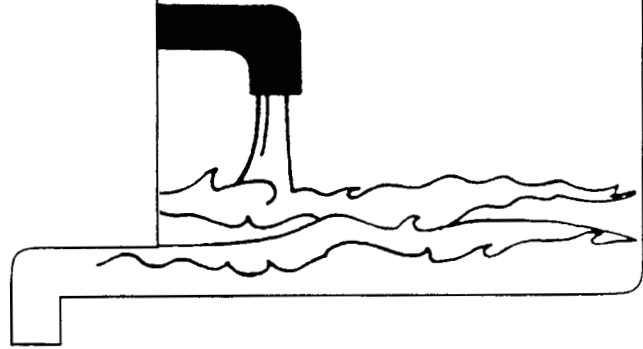


Replace fill switch (7.4)

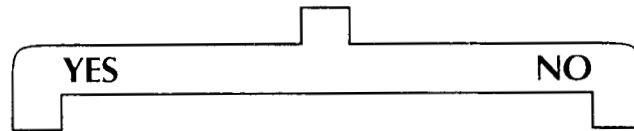
Replace #4 timer switch (7.4)

6.13

**MANUAL FILL DOES NOT
WORK, BUT MACHINE
FILLS NORMALLY
DURING CYCLE**



Is there voltage between black wire on
fill switch and white wire on master
switch with fill switch depressed?

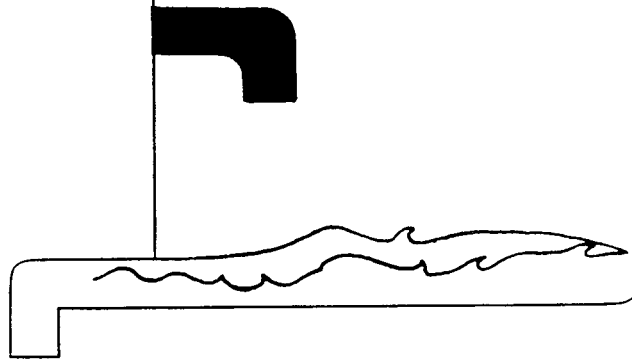


Repair loose connection(s) (7.4)

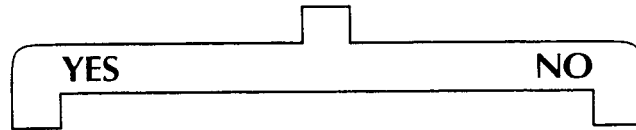
Replace fill switch (7.4)

6.14

**MACHINE WILL NOT FILL
DURING CYCLE, BUT
WILL FILL MANUALLY**



Is there voltage between black and white wires on water solenoid when #4 timer switch is down in groove?

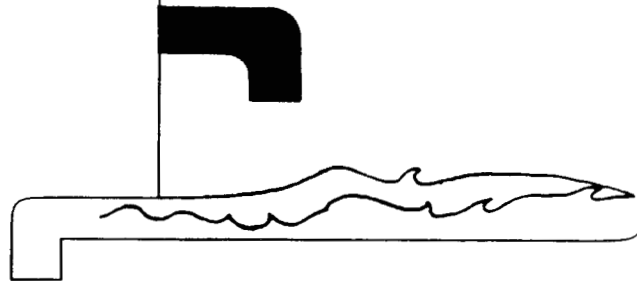


Repair loose connection (7.4)

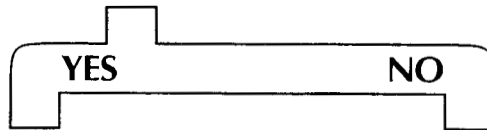
Replace #4 timer switch (7.4)

6.15

**MACHINE OPERATES
NORMALLY, BUT WILL
NOT FILL WITH WATER**

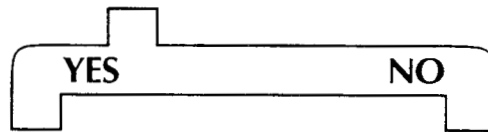


Is there water pressure at supply line?



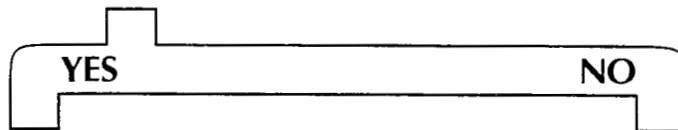
Are all the valves on?

Determine cause and remedy



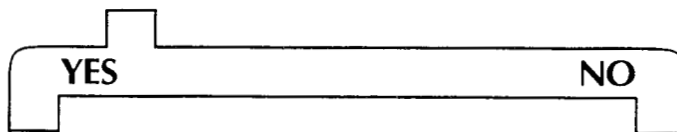
Is strainer clean?

Turn on valves



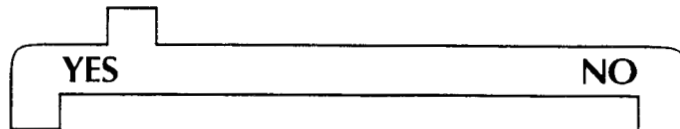
Is there voltage between black wire on fill switch and white wire on master switch with fill switch depressed?

Clean inlet strainer



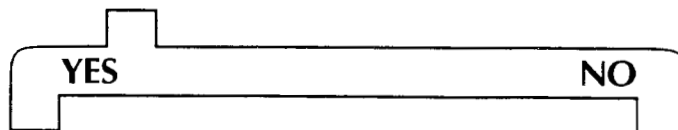
Is there voltage between black and white wires at solenoid valve with fill switch depressed?

Replace fill switch



With solenoid removed from valve, insert a screwdriver into armature and depress fill switch. Does screwdriver pull?

Repair loose connection(s) (7.4)

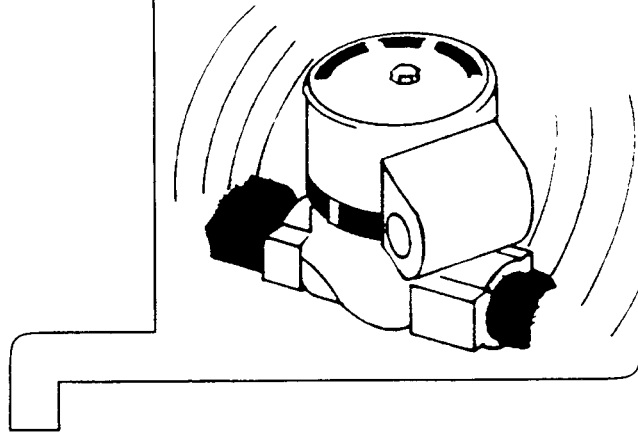


Install diaphragm kit (7.5)

Replace coil (7.5)

6.16

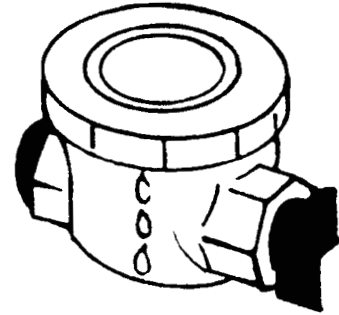
**NOISY BUZZING
SOLENOID VALVE**



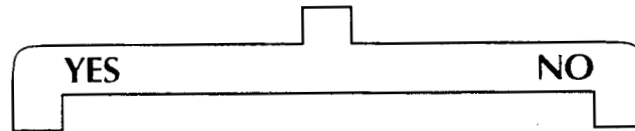
Replace solenoid coil (7.5)

6.17

**WATER LEAKS FROM
VACUUM BREAKER**

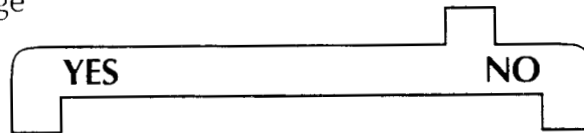


Does water leak from breaker during the fill?



Replace vacuum breaker poppet and inspect the seat for foreign material or damage

Does the water leak stop when the machine is turned off?

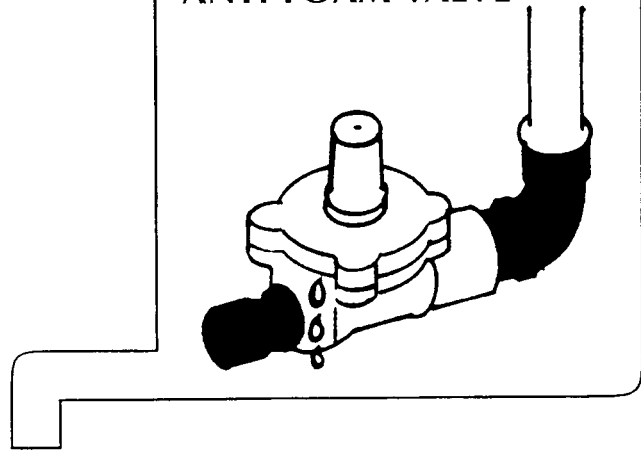


Replace check valve

Replace faulty valve seat / diaphragm

6.18

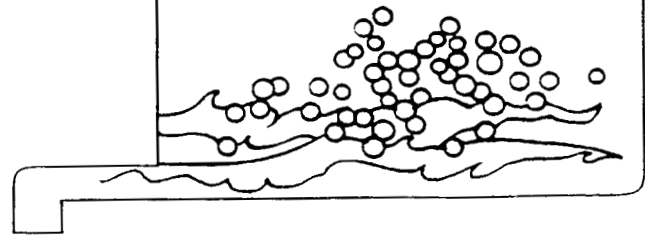
**WATER LEAKS FROM
ANTI-FOAM VALVE**



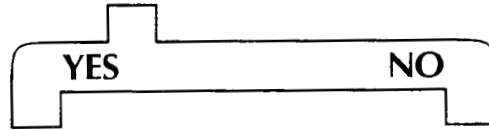
Repair and replace diaphragm (7.5)

6.19

EXCESSIVE FOAMING

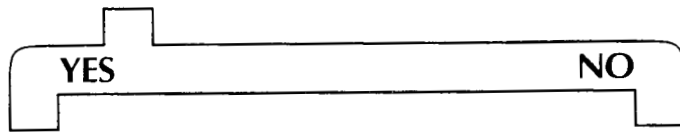


Are chemical intake tubes in proper containers?



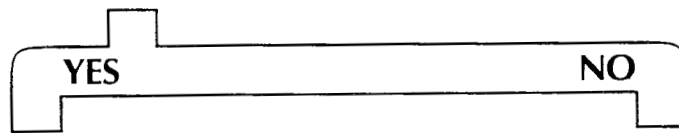
Is proper detergent being used?

Repair and flush lines (7.4)



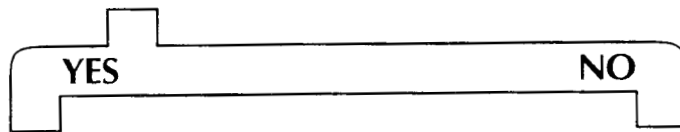
Is correct amount of detergent being metered?

Use proper detergent



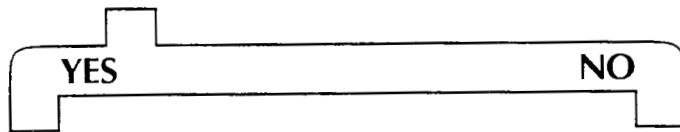
Is proper rinse aid being used?

Adjust



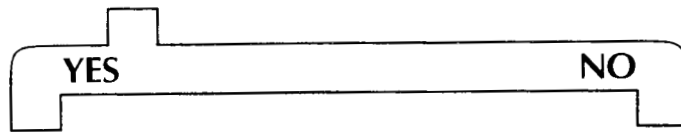
Is rinse aid metered in proper amount?

Use proper rinse aid



Is water temperature at least 120° F?

Adjust

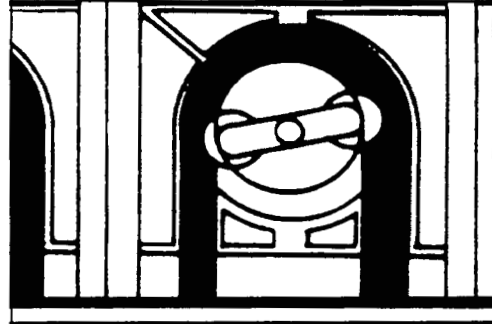


Find and repair leak in recirculating pump intake plumbing

Supply adequate hot water

6.20

CHEMICAL DOES NOT
FLOW



Is container empty?

YES

NO

Replace container

Is intake tube submerged?

YES

NO

Is squeeze tube worn, cracked or brittle?

Position properly

YES

NO

Replace squeeze tube (7.4)

Does pump operate?

YES

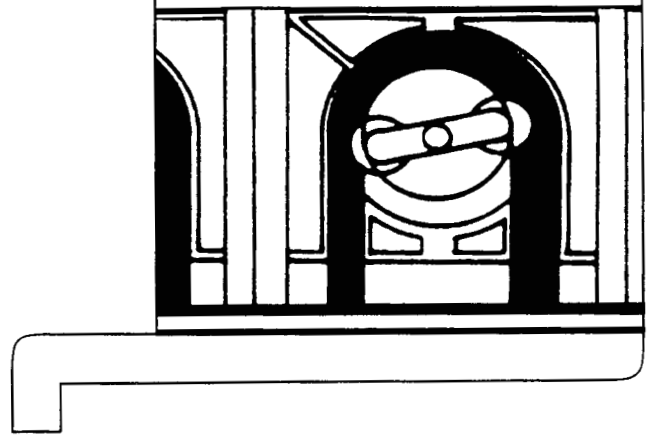
NO

Inspect for air leakage
in intake tube

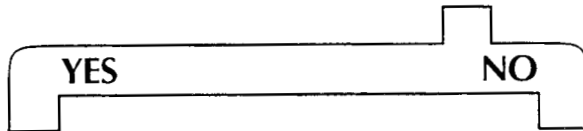
Refer to 6.21 or 6.23 or 6.25

6.21

DETERGENT PUMP WILL NOT OPERATE



Is cam notch completely closed due to maladjustments?



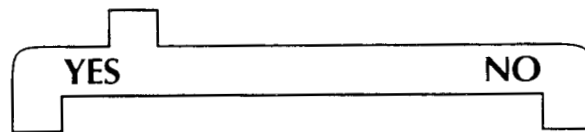
Adjust cam (7.4)

Is there voltage between blue wire on #2 timer switch and white wire on mercury relay while #2 timer switch is down in notch?



Is there voltage between blue and white wires at detergent pump?

Replace #2 timer switch (7.4)

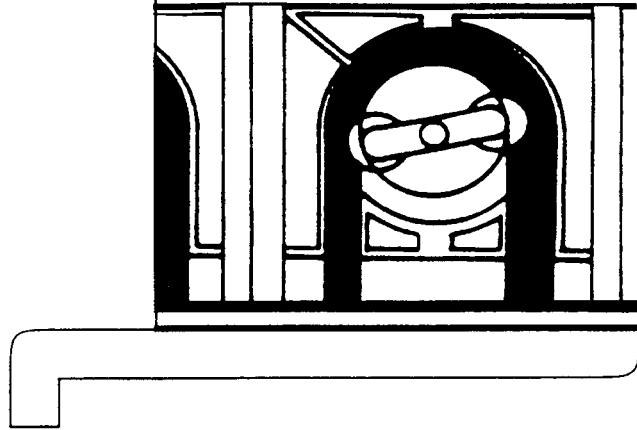


Replace pump assembly (7.4)

Repair loose connections (7.4)

6.22

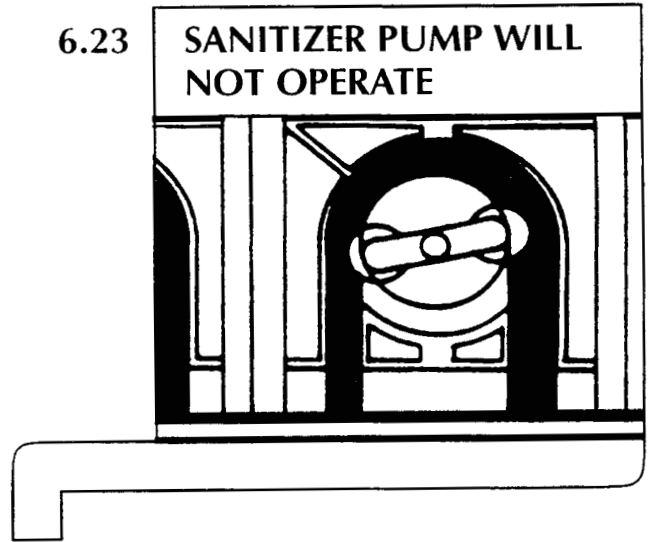
DETERGENT PUMP WILL
NOT STOP



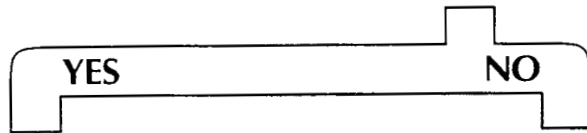
Replace #2 timer switch (7.4)
or prime switch

6.23

SANITIZER PUMP WILL NOT OPERATE

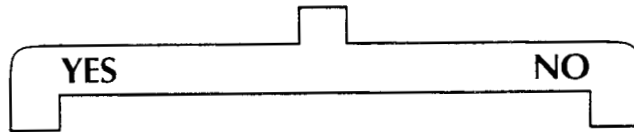


Is cam notch completely closed due to maladjustments?



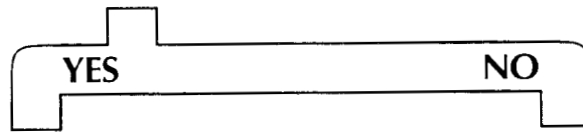
Adjust cam (7.4)

Is there voltage between green wire on #5 timer switch and white wire on mercury relay while #2 timer switch is down in notch?



Is there voltage at motor connections?

Change #5 switch (7.4)

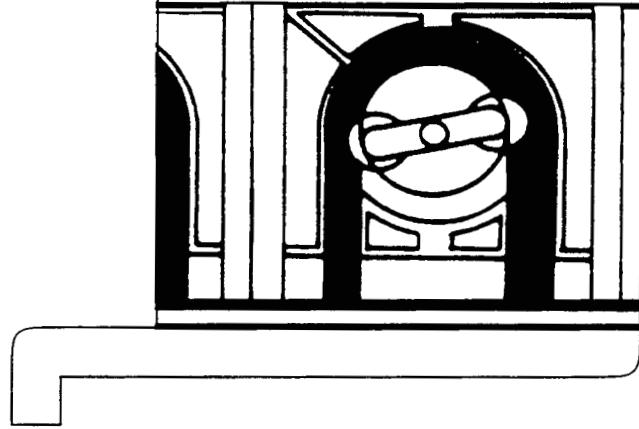


Replace pump assembly (7.4)

Check wire connection (7.4)

6.24

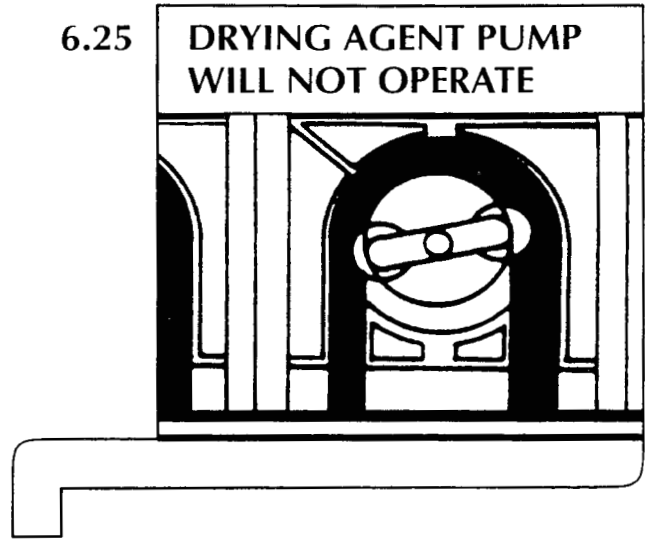
SANITIZER PUMP WILL
NOT STOP



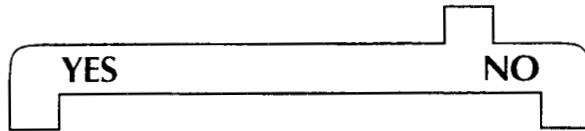
Replace #5 timer switch (7.4)
or prime switch

6.25

**DRYING AGENT PUMP
WILL NOT OPERATE**

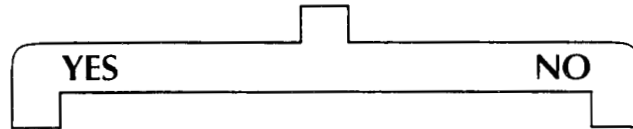


Is cam notch completely closed
due to maladjustments?



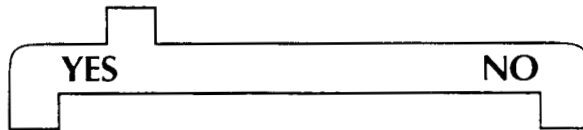
Adjust cam (7.4)

Is there voltage between
purple wire on #6 timer
switch and white wire on
mercury relay while #6 timer
switch is down in notch?



Is there voltage at motor
connections? (7.4)

Change #6 timer switch (7.4)

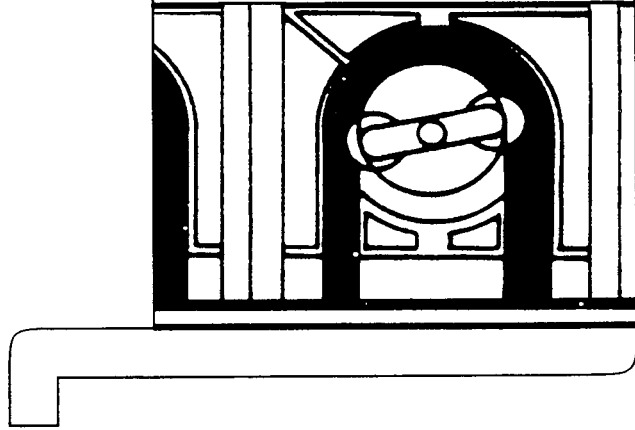


Replace pump assembly

Check wire connections

6.26

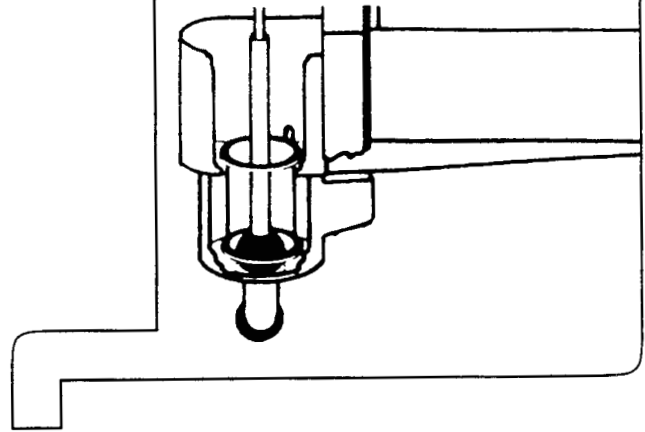
**DRYING AGENT PUMP
WILL NOT STOP**



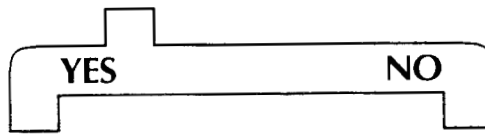
Replace #6 timer switch (7.4)
or prime switch

6.27

DRAIN TUBE WILL NOT LIFT

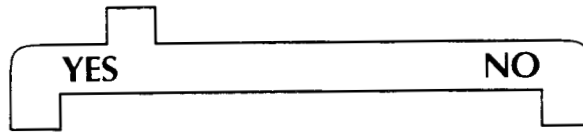


Is mechanism free and properly adjusted?



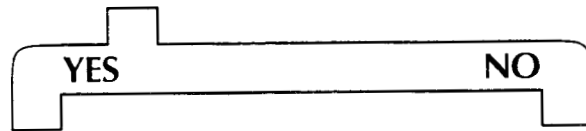
Is there voltage between orange wire at #3 timer switch and white wire at mercury relay while #3 timer switch is down in notch?

Adjust (7.6)



Is there voltage between orange and white wires at solenoid?

Replace #3 timer switch (7.4)

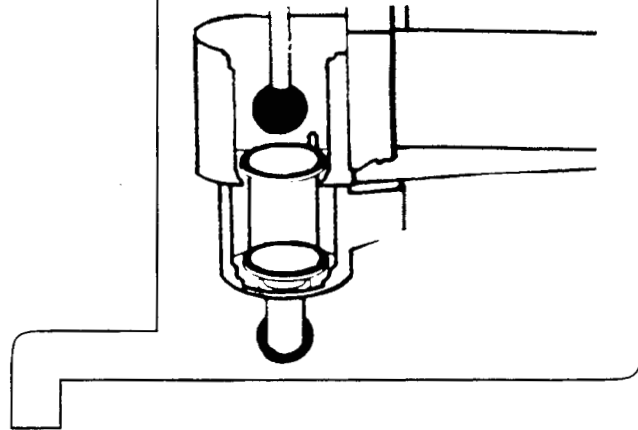


Replace solenoid (7.6)

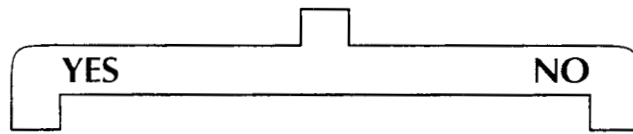
Repair loose connection (7.6)

6.28

DRAIN TUBE WILL NOT DROP

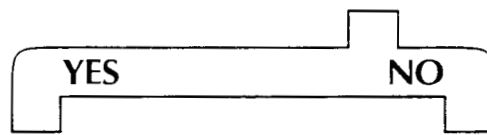


Is there an obstruction under drainball?



Remove

Is chain or linkage undamaged and free?



Is there voltage between orange and white wires at solenoid?

Repair (7.6)

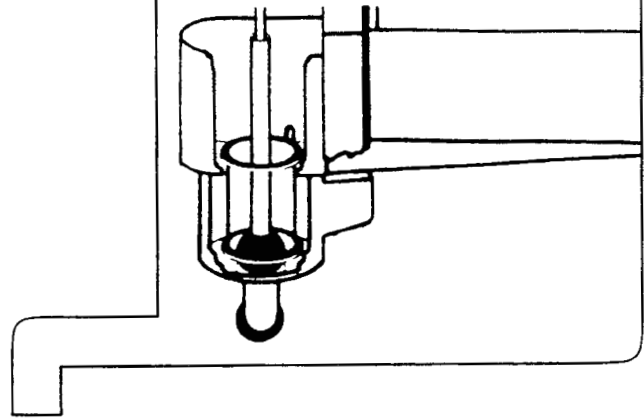


Replace #3 timer switch (7.4)

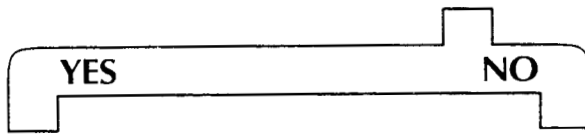
Replace solenoid (7.6)

6.29

DRAIN STOPPER WILL NOT HOLD WATER

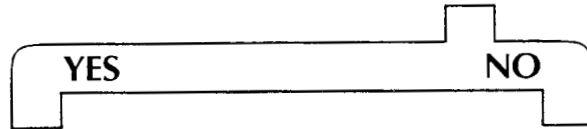


Is there an obstruction under drainball?



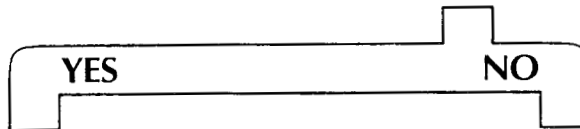
Clear obstruction (7.6)

Is drain ball grooved, pitted or worn?



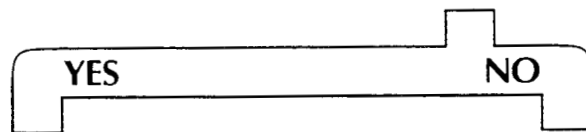
Replace (7.6)

Is seat pitted or damaged?



Replace (7.6)

Is mechanism free and undamaged?

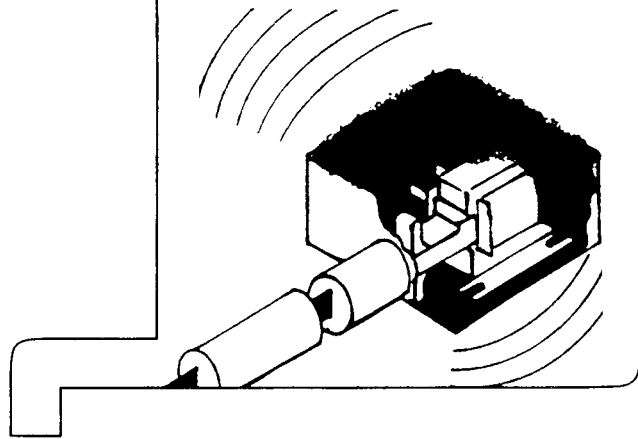


Adjust (7.6)

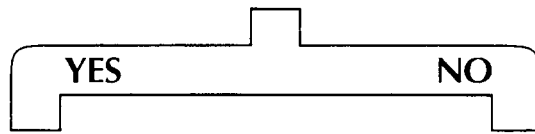
Repair (7.6)

6.30

NOISY DRAIN SOLENOID

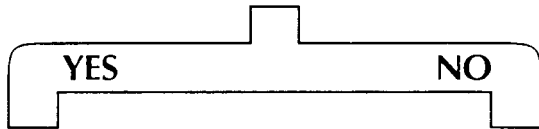


Is travel limiting bracket in place?



Does linkage operate freely?

Repair

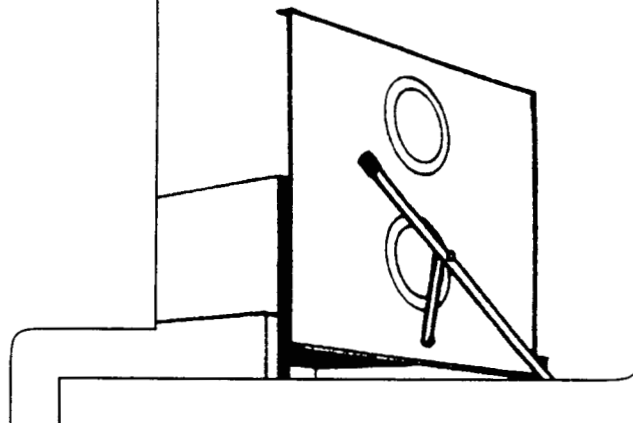


Replace solenoid (7.6)

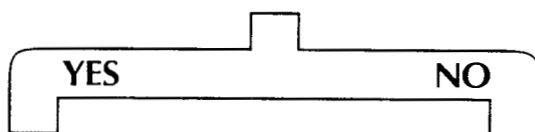
Repair linkage (7.6)

6.31

DOOR DOES NOT OPERATE PROPERLY

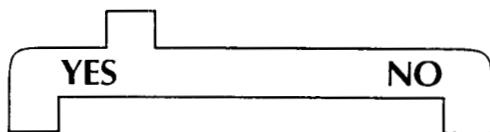


Is door and actuator mechanism intact?



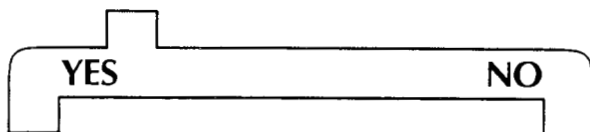
Does door fall freely with arm unattached?

Repair (7.7)



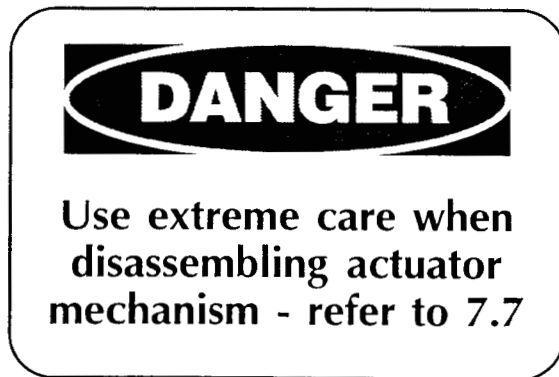
Does actuator mechanism operate freely with door unattached?

Adjust door guides (7.7)



Adjust spring (7.7)

Repair linkage (7.7)



7.0 REPAIR PROCEDURES

Repair procedures are organized around the major sub-assemblies of the machine. Most common procedures are included. In addition to specific procedures, each major sub-assembly is discussed with respect to its construction and operation. Before attempting any repair, maintenance personnel should be thoroughly familiar with the construction and operation of the equipment and should be certain that the diagnosis is correct.

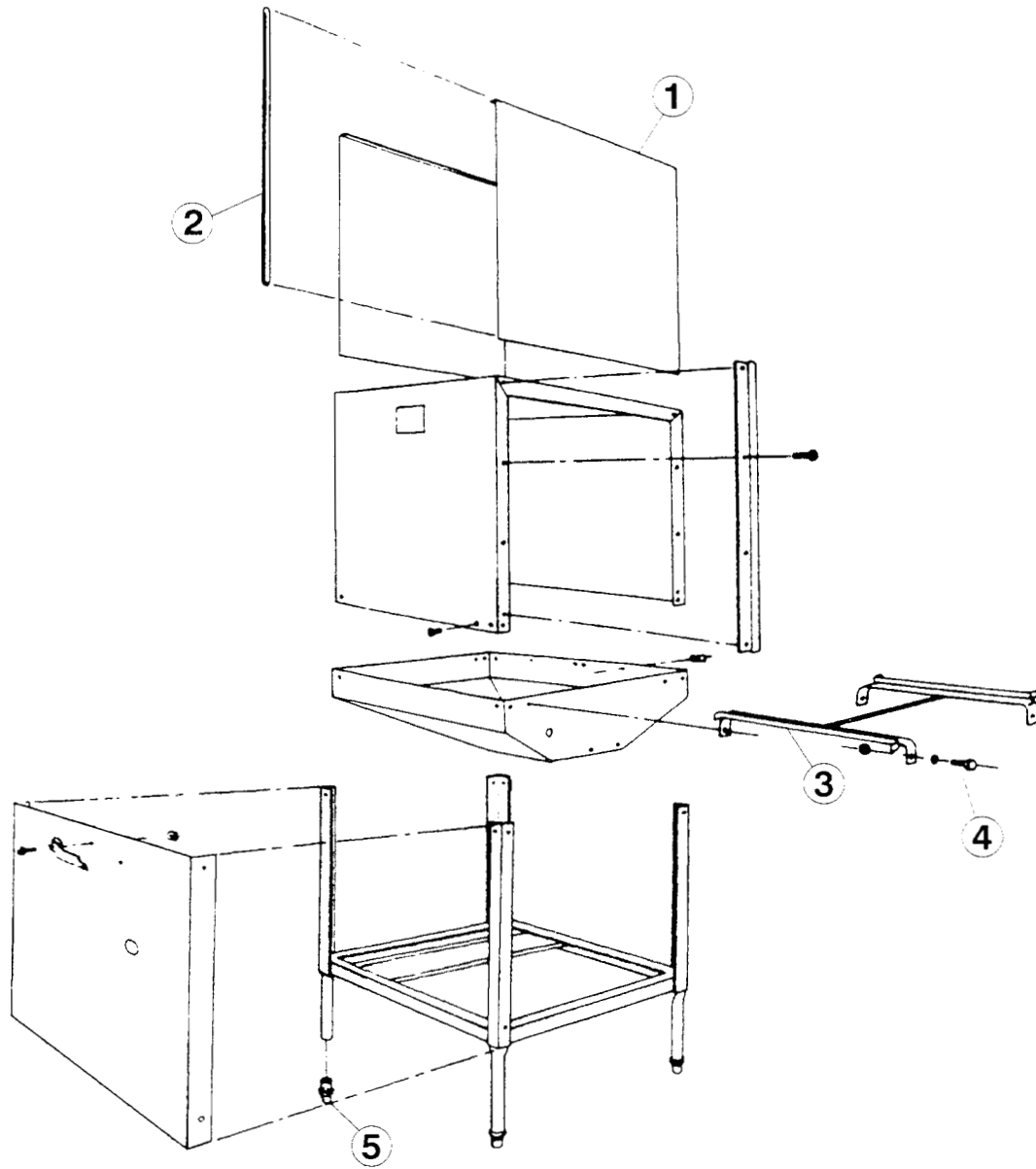
7.1 CABINET ASSEMBLY (61-0300 & 61-0400)

The cabinet is constructed of stainless steel, 16 guage. Doors slide in a vertical track and are lined with a bearing material.

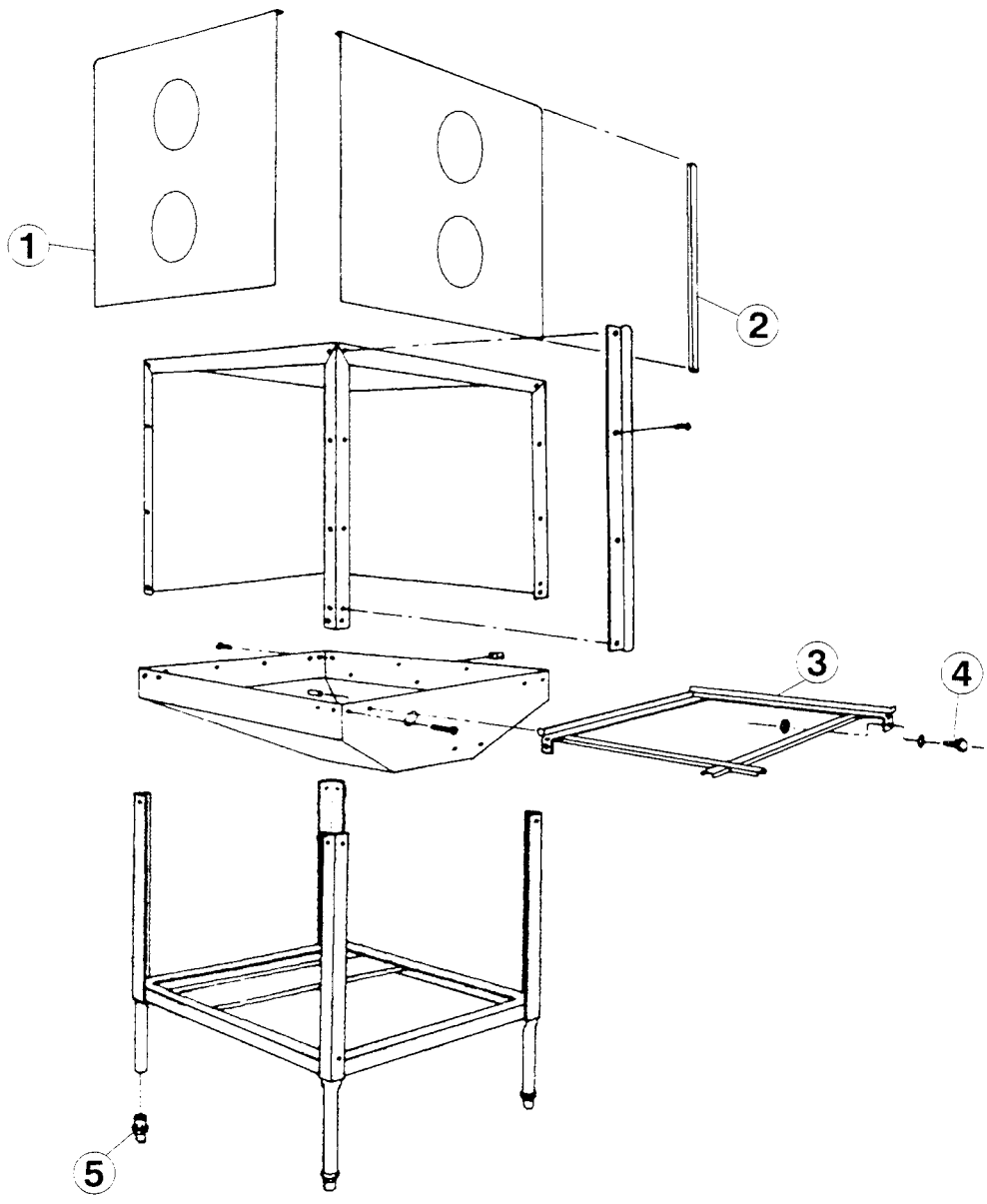
CABINET ASSEMBLY

(61-0300)

MODELS W, AFW



CABINET ASSEMBLY
(61-0400)
MODELS WC, AFWC



7.1.1 Door Guide Adjustment

1. Remove door (1) from machine and thoroughly clean all sliding surfaces using steel wool if necessary.
2. Check door guide strip (2) for wear or damage and replace if necessary.
3. Replace door, align it vertically; also align the right hand door guide.
4. Tighten screws on right hand guide.
5. Align left hand guide 1/16" to 1/8" from door and tighten screws.
6. With actuator arm still unattached, lift door and allow it to fall. If door does not free fall to its lowest position, realign guides.
7. Reattach actuator link.
8. Check spring adjustment.

7.1.2 Tray Track Adjustment

1. Prior to adjustment of tray track (3), insure that the machine is level and in line with the adjoining tables in accordance with 3.0.
2. Slightly loosen four bolts (4) which attach the tray track and move the track up or down as required to bring it flush with tables.
3. Retighten bolts.

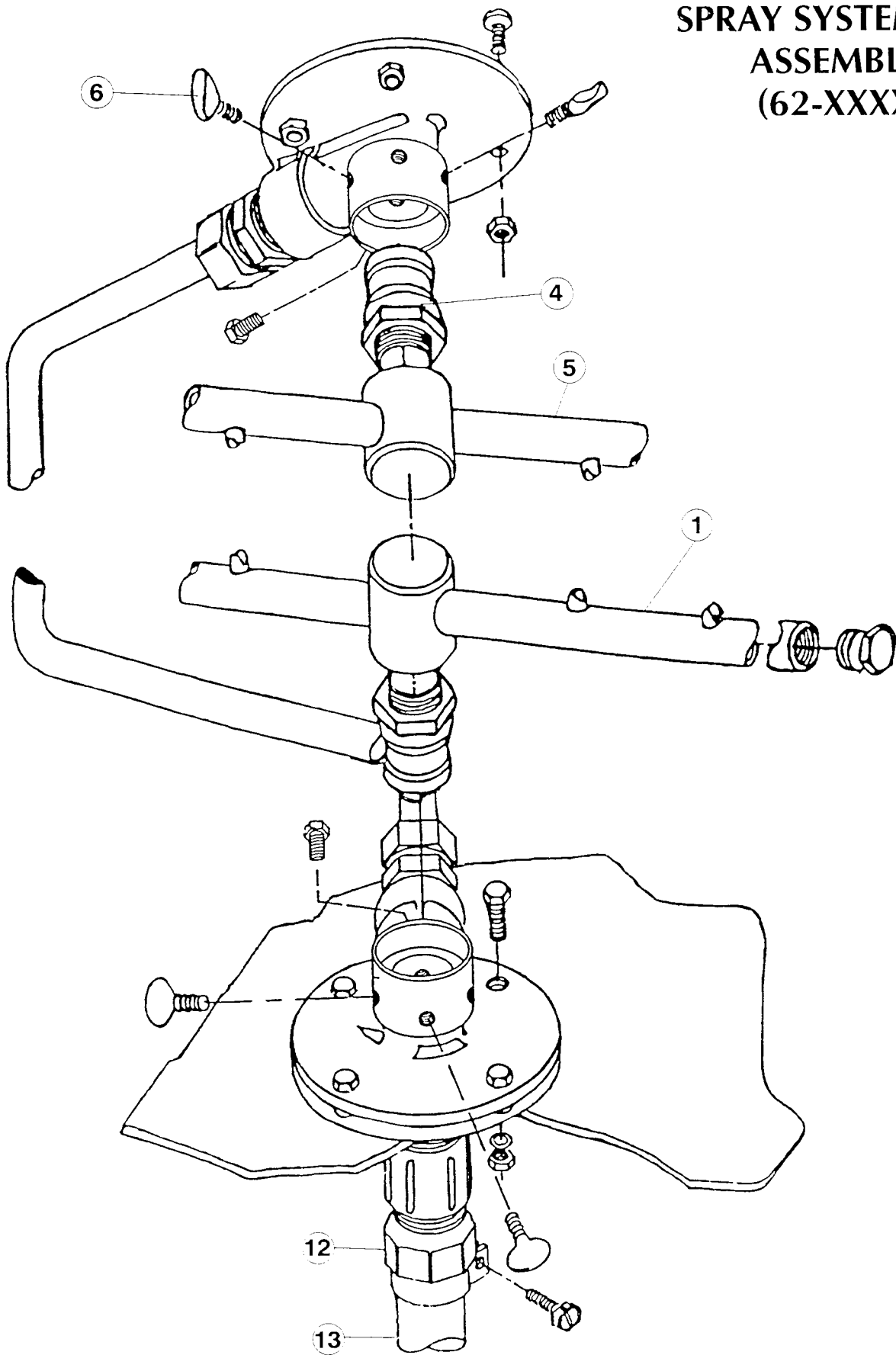
7.1.3 Height Adjustment

1. Place level on top of machine in both front-back and side-side directions to determine if machine is out of level and in which direction.
2. Adjust level by turning lower portion of bullet feet (5) with an open-end or crescent wrench.

7.2 SPRAY SYSTEM (62-XXXX)

The spray system consists of upper and lower spray arms which rotate on bearings mounted to the cabinet by a spray base. Plumbing from the pump and between the upper and lower spray bases is also included. Vee-type jets on the spray arms concentrate the water into a flat, hard hitting pattern. "Pusher jets" propel the arms. Speed of rotation is important, if the speed is too high, the spray does not penetrate deep cavities; too slow and the force of the jets will overturn and damage glasses.

SPRAY SYSTEM ASSEMBLY (62-XXXX)

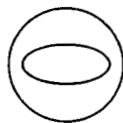


7.2.1 Pressure Check

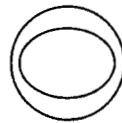
1. Install special pressure fitting on one end of lower spray arm (1) and attach pressure gauge which reads 0 - 20 PSI. (Pressure gauge and fitting available from ADS - Part # 88-1048).
2. Close doors and start machine.
3. Record pressure during wash portion of cycle. If pressure fluctuates, record maximum and minimum pressure.
4. Normal pressure may range from 12 PSI (8437 KG/M²) to 17 PSI (11,953 KG/M²). If pressure is less than 12 PSI (8437 KG/M²) or fluctuates more than 3 PSI (2109 KG/M²), refer to Section 6.11.

7.2.2 Bearing and/or Spray Arm Replacement

1. Remove upper spray arm (5) and bearing (4) by loosening three thumb screws (6).
2. Inspect bearing for scoring or excessive wear and replace if necessary.
3. Inspect spray arm housing for wear or scoring and jets for wear.



Normal



Worn

4. Replace spray arm as required.

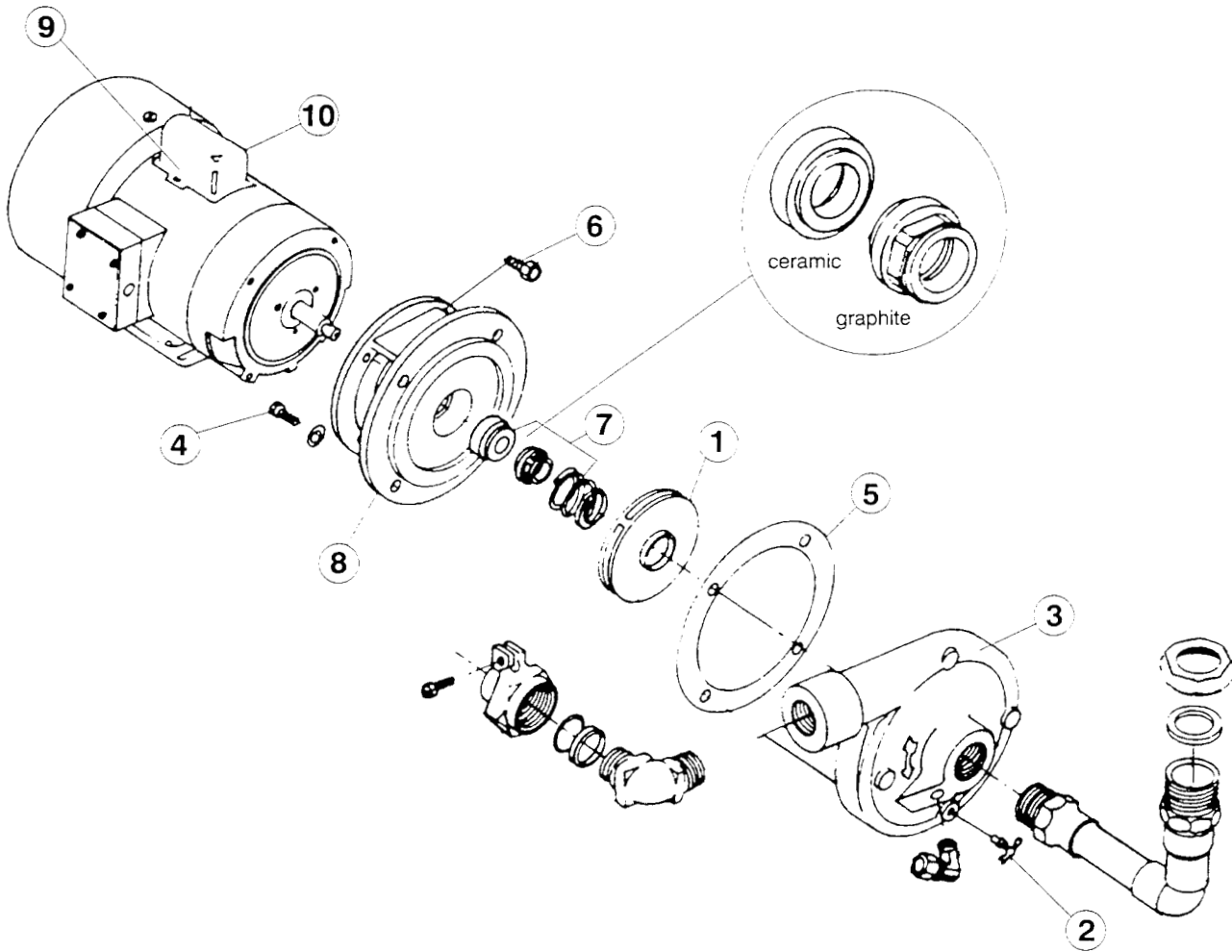
7.3 RECIRCULATING PUMP (63-XXXX)

The recirculating pump is a close-coupled centrifugal pump of conventional design.

The motor is 1.5 HP operating at 3450 RPM (2875 RPM on 50 Hz models). The impeller (1) is mounted directly on the motor shaft with a right hand thread.

Water is taken in at the drain casting and is pumped to the spray arms at approximately 41 GPM. Normal pressure at the end of the spray arm is 14 - 17 PSI (9882 KG/M² - 11,953 KG/M²).

RECIRCULATING PUMP ASSEMBLY (63-XXXX) ALL MODELS



7.3.1 Gasket Replacement

1. Drain water from machine and open drain cock (2) on pump housing (3).
2. Place Master Switch in "off" position and remove fuses or open circuit breaker which services machine. Tag fuse or breaker with "DO NOT TURN ON" sign to prevent accidental energization.
3. Remove pump housing bolts (4) and motor mount bolts.
4. Separate front and rear sections of pump housing. If it is necessary to use a screwdriver or wedge, pry only at bolt hole locations (4) and do not mar the mating surfaces.
5. Clean impeller using bent ice pick in accordance with 7.3.2.
6. Scrape all old gasket material and sealant from both surfaces of pump housing. Clean thoroughly with steel wool or extra fine emery cloth. Do not mar mating surfaces.
7. Reassemble pump and front housing using a new gasket. Threads on housing bolts should be coated with pipe sealant.
8. Install motor mount bolts and test for operation and leakage.

7.3.2 Clean Impeller

1. Drain water from machine and open drain cock (2) on pump housing (3).
2. Place Master Switch in "off" position and remove fuses or open circuit breaker which services machine. Tag fuse or breaker with "DO NOT TURN ON" sign to prevent accidental energization.
3. Remove pump housing bolts (4) and motor mount bolts.
4. Separate front and rear sections of pump housing. If it is necessary to use a screwdriver or wedge, pry only at bolt hole locations (4) and do not mar the mating surfaces.
5. Clean impeller using bent ice pick. It is necessary to use the pick on each opening since obstructions within the impeller cavities may not be seen.
6. Scrape all old gasket material and sealant from both surfaces of pump housing. Clean thoroughly with steel wool or extra fine emery cloth. Do not mar mating surfaces.
7. Reassemble pump and front housing using a new gasket (5). Threads on housing bolts should be coated with pipe sealant.
8. Install motor mount bolts and test for operation and leakage.

7.3.3 Motor / Seal Replacement

1. Drain water from machine and open drain cock on pump housing (3).
2. Place Master Switch in "off" position and remove fuses or open circuit breaker which services machine. Tag fuse or breaker with "DO NOT TURN ON" sign to prevent accidental energization.
3. Remove pump housing bolts (4) and motor mount bolts.
4. Separate front and rear sections of pump housing. If it is necessary to use a screwdriver or wedge, pry only at bolt hole locations and do not mar the mating surfaces.
5. Remove cap from rear of motor and hold motor shaft to prevent the shaft from turning. Unscrew the impeller by turning counter-clockwise. If necessary, break the impeller loose by lightly tapping against the vanes with a hammer and punch.
6. Remove four bolts (6) which hold the rear housing to the motor and separate rear housing from motor.
7. Clean pump shaft thoroughly using steel wool or extra fine emery cloth. THIS IS IMPORTANT.
8. Remove old seal.
9. Install rear half of new seal (7) using special seal driver. Seal must be square and seated properly at bottom of housing. Always install a new seal when the rear housing is removed.
10. If motor is to be replaced, remove conduit and disconnect wires at motor junction box.
11. Install rear pump housing (8) on motor and install four bolts (6).
12. Lubricate shaft with SOAP. Do not use silicone or grease.
13. Install front half of seal using thread protector. It is vital that the seal is not cut or scraped by threads or anything else. Insure that all pieces are installed in accordance with 7.2.
14. Reassemble pump and front housing always using a new gasket. Threads on housing bolts (4) should be coated with pipe sealant.
15. Install motor mount bolts and test for operation and leakage.

Seal Replacement Tools Available From ADS

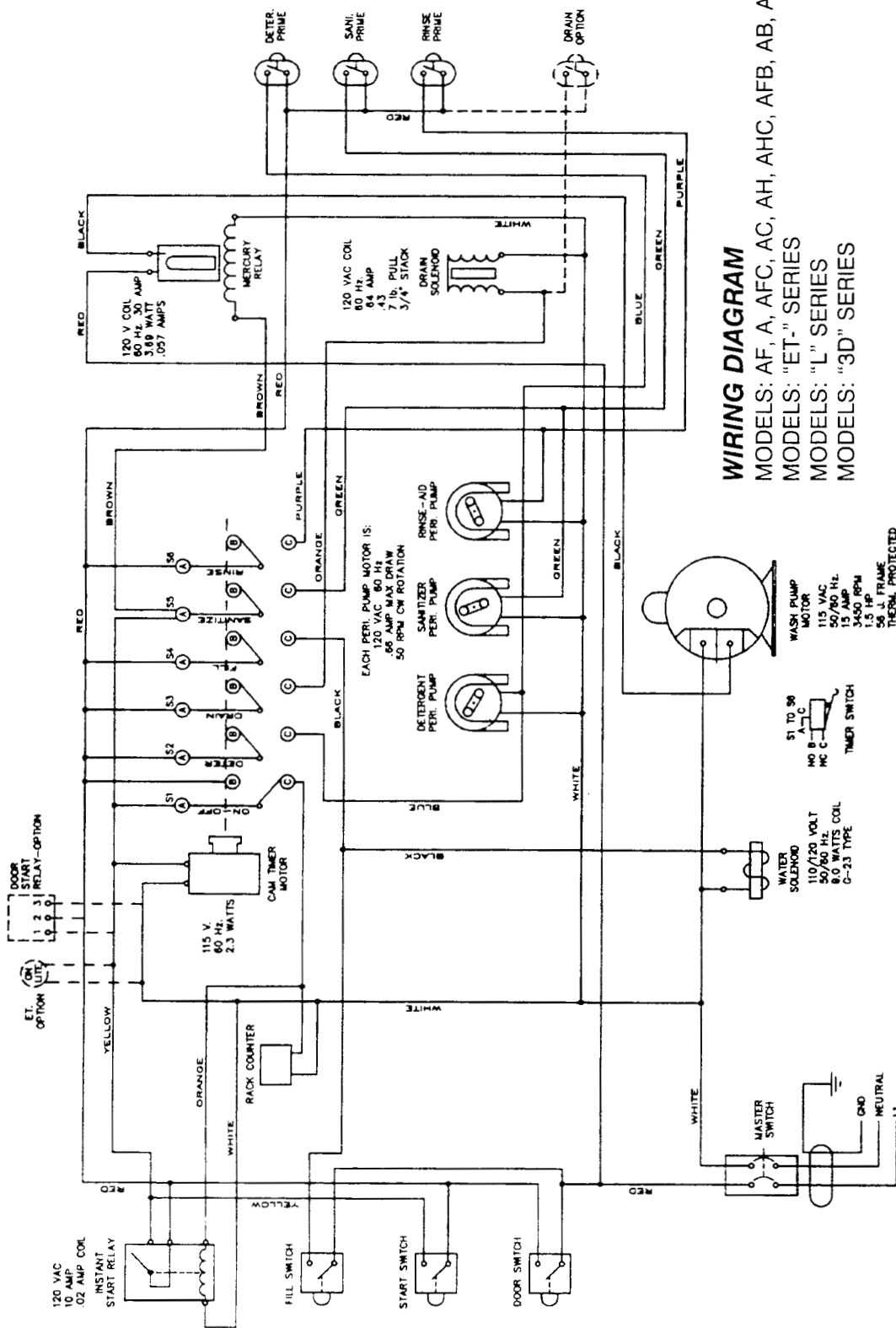
7.3.4 Capacitor Replacement

1. Remove screws (9) holding capacitor housing (10) to motor.
2. Disconnect wires from old capacitor.
3. Connect new capacitor and replace cover.

7.4 CONTROL SYSTEM ASSEMBLY (64-XXXX)

The control system assembly encompasses all of those electrical components which operate the various functions of the machine. Also included are the Chemical Pump Sub-Assemblies.

For a thorough understanding of the control system it is necessary to study the electrical diagrams.

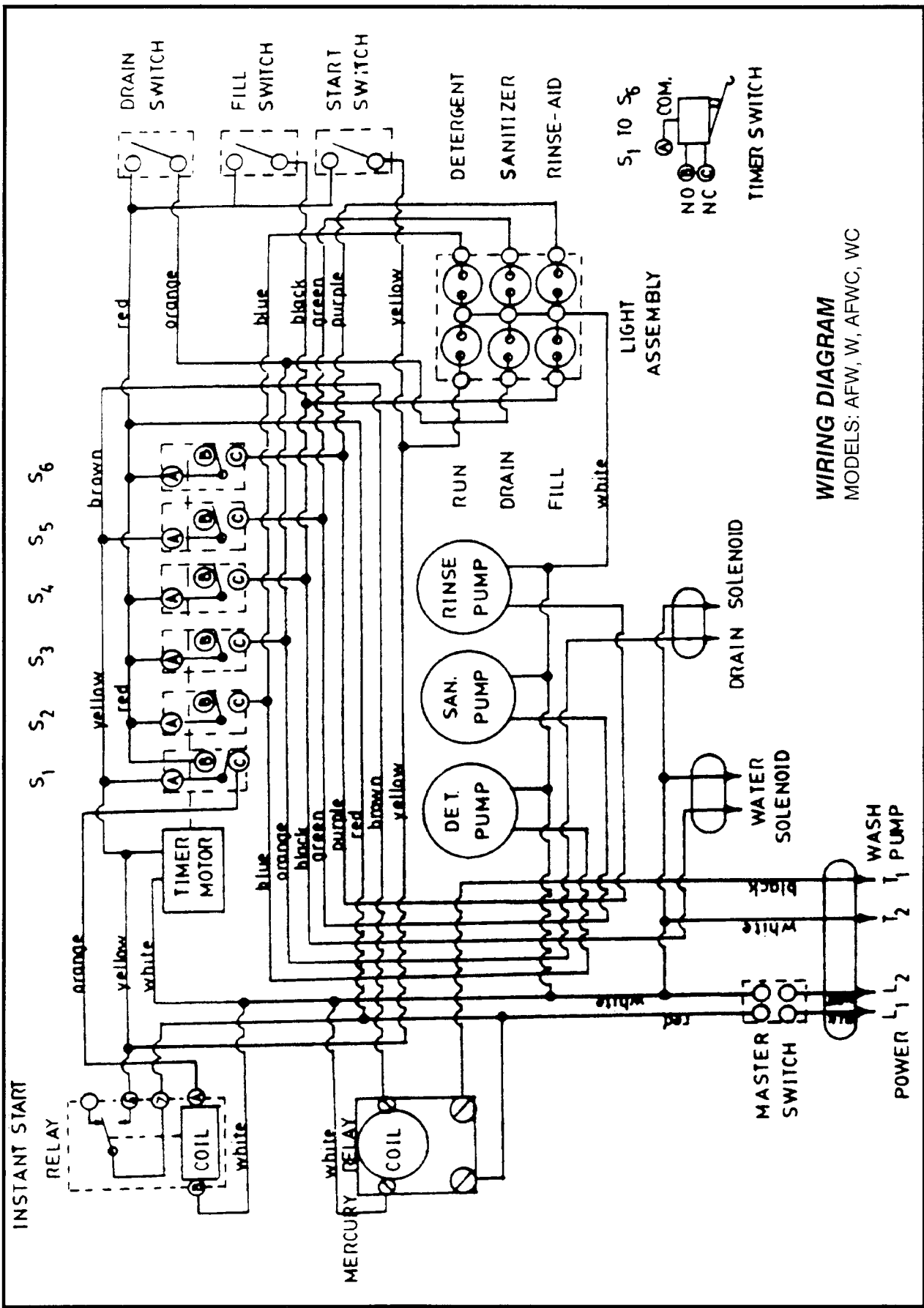


WIRING DIAGRAM

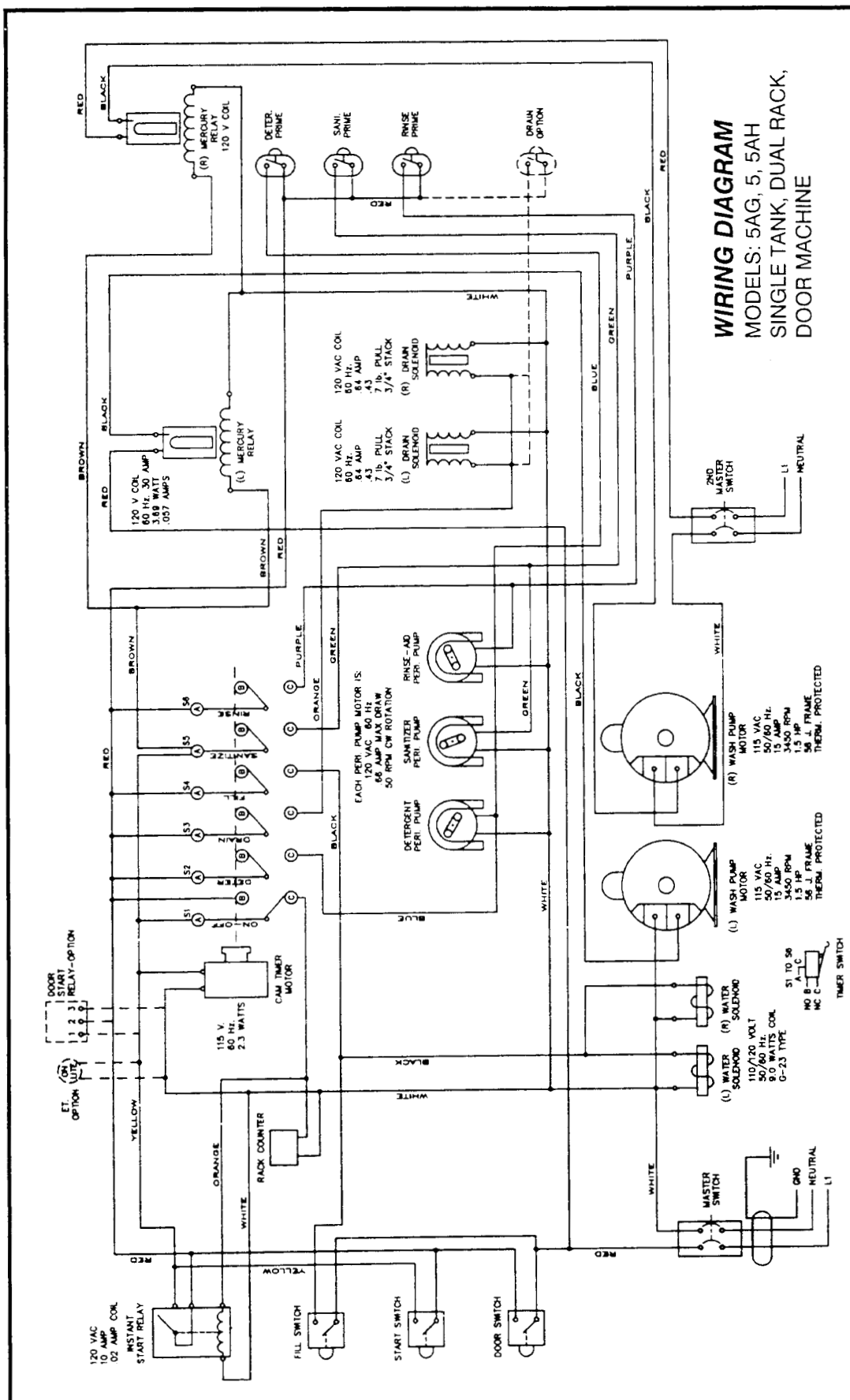
MODELS: AF, A, AFC, AC, AH, AHC, AFB, AB, AHB
 MODELS: "ET-" SERIES
 MODELS: "L" SERIES
 MODELS: "3D" SERIES

AMERICAN DISH SERVICE	
TITLE: WIRING DIAGRAM	DWG NO.: 260-024
DRAWN BY: RLP	SCALE: NONE
DATE: 05/03/94	REVISION:

CONNECT TO SUPPLY SOURCE
 USING WIRES WITH AMPACITY OF 25 AMPS
 USING NON TIME DELAY FUSE OF 20 AMP RATING
 USE COPPER WIRE ONLY



WIRING DIAGRAM
 MODELS: AFW, W, AFWC, WC

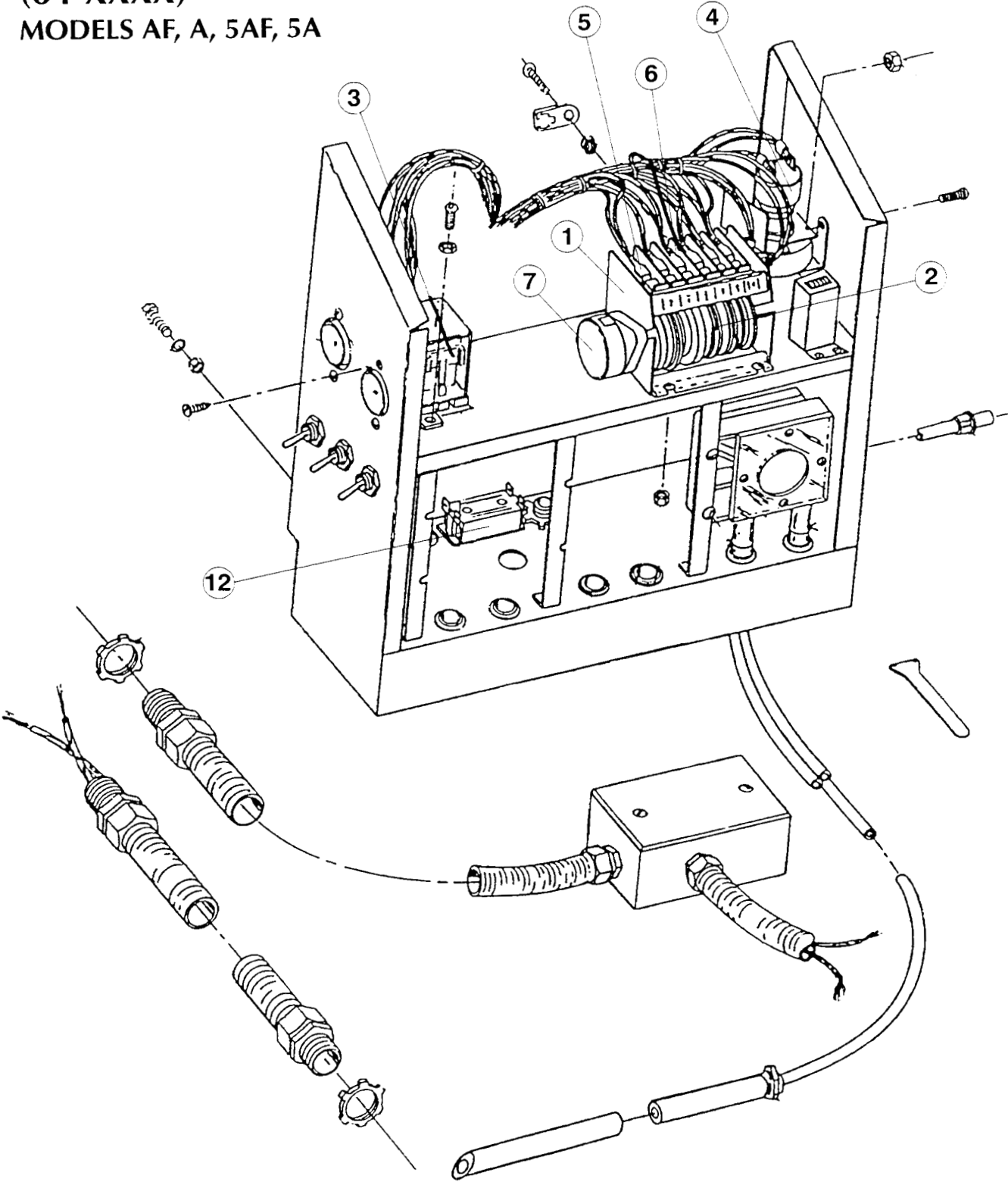


WIRING DIAGRAM
 MODELS: 5AG, 5, 5AH
 SINGLE TANK, DUAL RACK,
 DOOR MACHINE

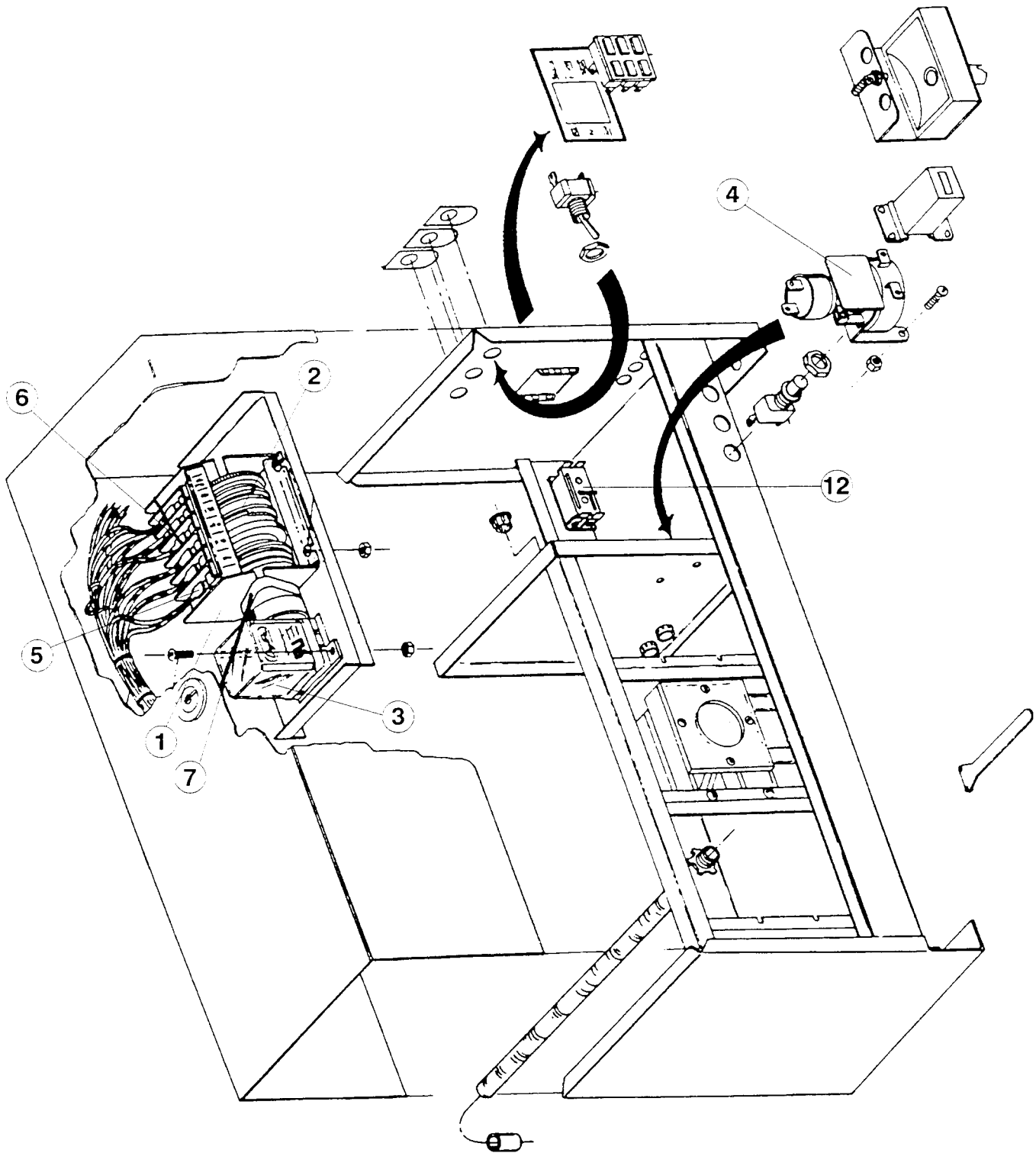
AMERICAN DISH SERVICE	
TITLE: WIRING DIAGRAM DUAL POWER CONNECTION	DWG NO: 260-025
DRAWN BY: RLP	SCALE: NONE
DATE: 05/03/94	REVISION:

CONNECT TO TWO SUPPLY SOURCES
 USE WIRES WITH AMPACITY OF 25 AMPS AND 2 NON TIME DELAY FUSES OF 20 AMP RATING
OR
CONNECT TO SINGLE SUPPLY SOURCE USING WIRES WITH AMPACITY OF 50 AMPS
 AND A NON TIME DELAY FUSE OF 40 AMP RATING USE COPPER WIRE ONLY

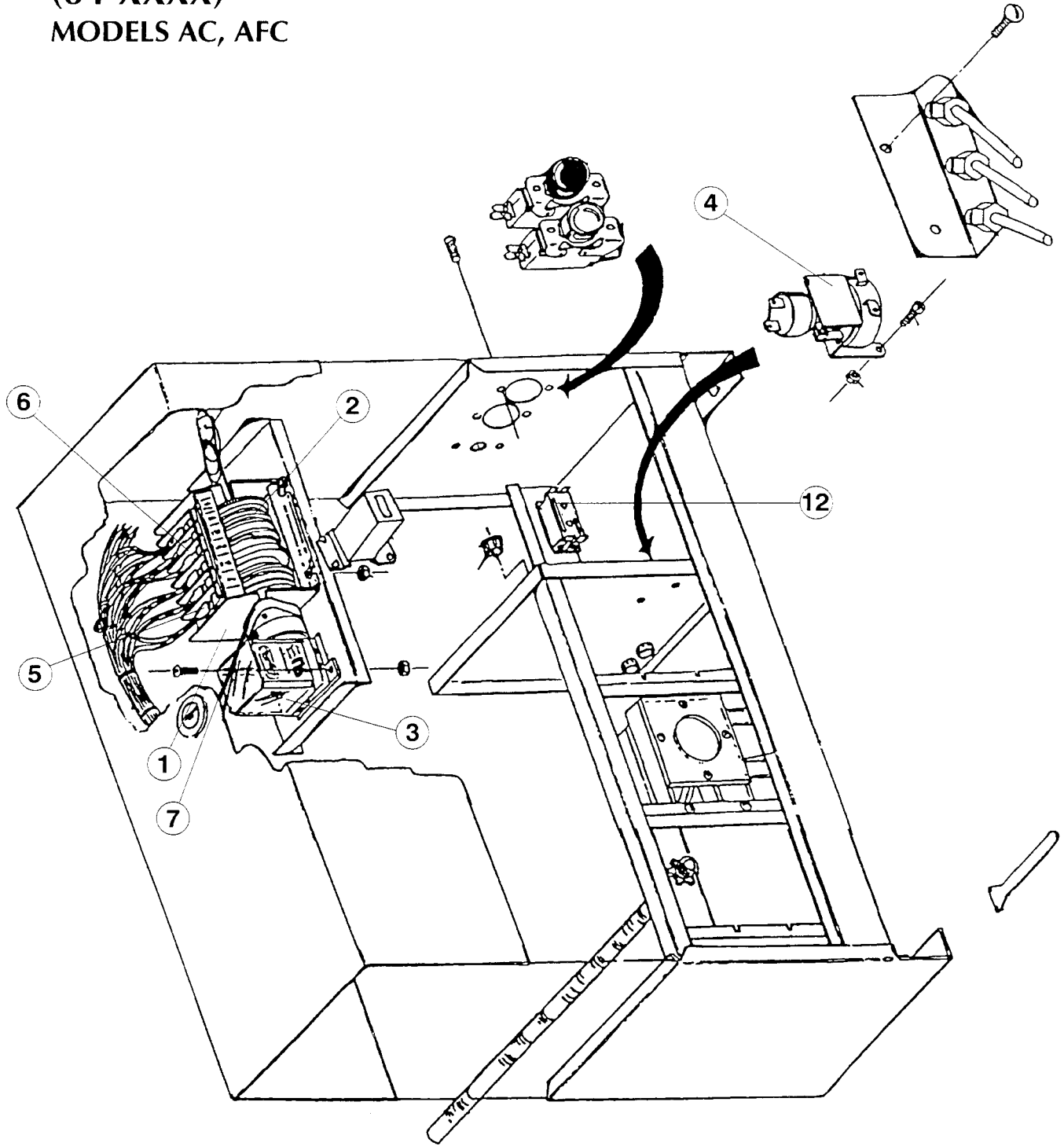
**CONTROL SYSTEM
ASSEMBLY
(64-XXXX)
MODELS AF, A, 5AF, 5A**



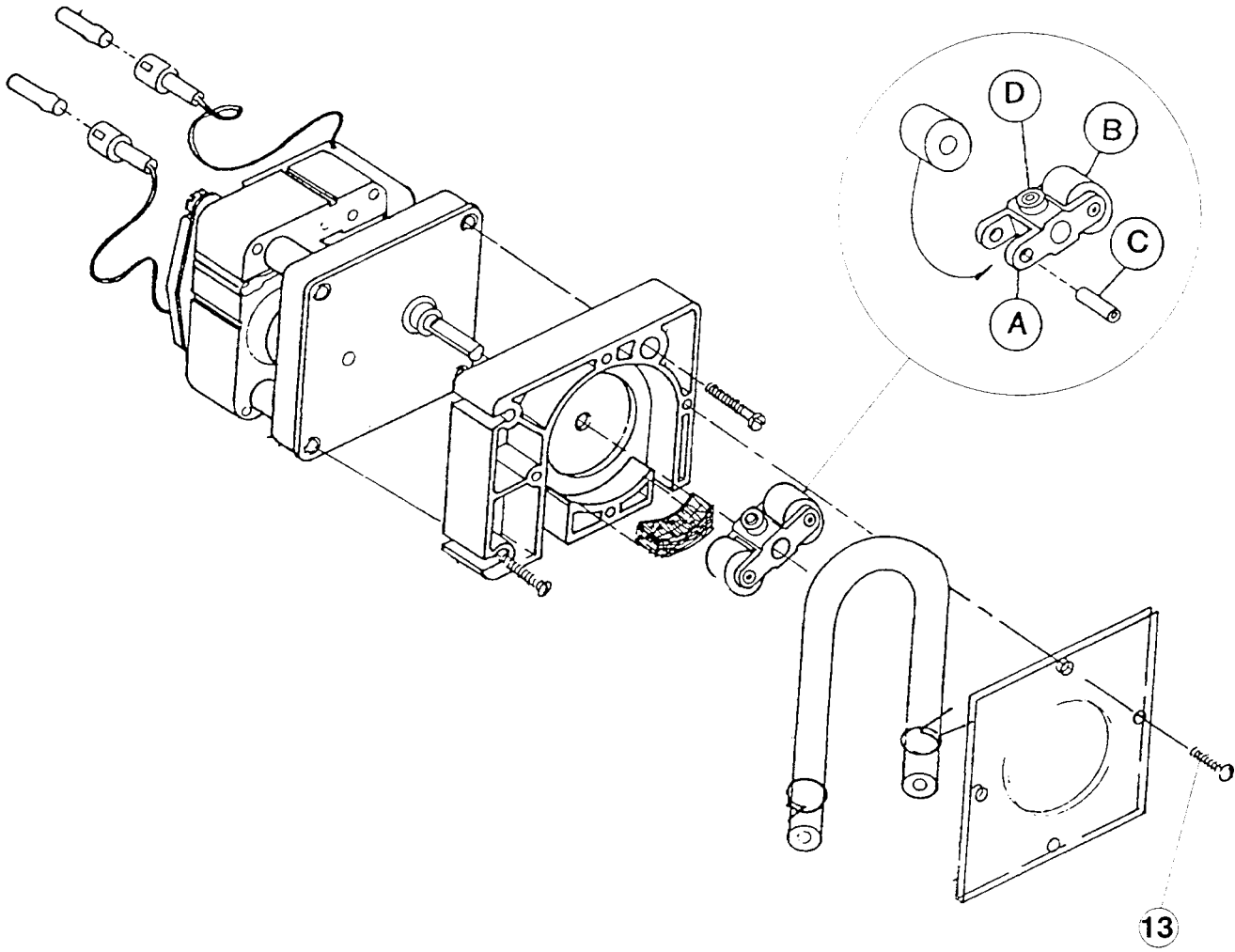
CONTROL SYSTEM ASSEMBLY (64-XXXX)



**CONTROL SYSTEM
ASSEMBLY
(64-XXXX)
MODELS AC, AFC**



**CHEMICAL PUMP
ASSEMBLY
(64-XXXX)
ALL MODELS**



7.4.1 Timer & Switches

The timer (1) consists of a drive motor and six cams. These cams open and close six corresponding switches (6) which in turn control most functions of the machine.

Switch #1 controls both the timer motor and pump motor. When the machine is off and the timer is in its neutral position, no power is supplied to either the pump or timer motors. When the machine cycle starts, Switch #1 is activated and power is supplied to the timer motor which drives the timer cams through their cycle and also to the Motor Starting Relay (4). The starting relay contains a set of heavy duty contacts which are capable of carrying the large starting current used by the pump motor.

Switch #2 supplies power to the detergent metering pump (Red). The cam which actuates this switch is adjustable in order to control both the start of detergent input and the amount.

Switch #3 supplies power to the solenoid which actuates the drain ball.

Switch #4 controls the solenoid valve which supplies fresh water to the machine. Its cam is adjustable in order to control the start of purge as well as the water level.

Switch #5 and #6 supply power to the sanitizer (Green) and rinse-aid metering pumps (Blue) respectively. The cams which operate these switches are also adjustable.

The instant start relay (3) supplies power to the timer and motor for approximately one second after the start button is depressed. This allows time for the #1 cam (5) to actuate.

7.4.2 Timer Motor (7) Replacement

1. Remove two mounting screws and nuts.
2. Pull motor to the left, away from the timer frame until stopped by the pinion.
3. Slide motor up and forward so that motor shaft slides out slot in frame.
4. One at a time, disconnect wires and reconnect to new motor.
5. Replace motor in frame making sure that gear and pinion are meshed and that the motor is flush against the frame with the shaft bushing locked in place at the bottom of the slot.

7.4.3 Cam Adjustment

The timer cams (2) which control the solenoid valve and chemical pumps are adjustable. These cams are split and have a left and right side. The right side of the cam sets the point at which the solenoid valve opens or the chemical pump starts. The left side sets the point at which the solenoid valve closes or chemical pump stops.

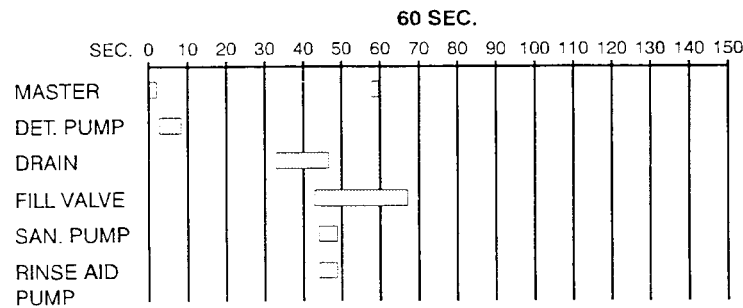
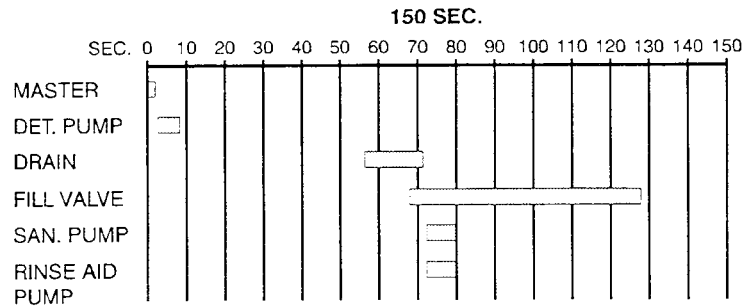
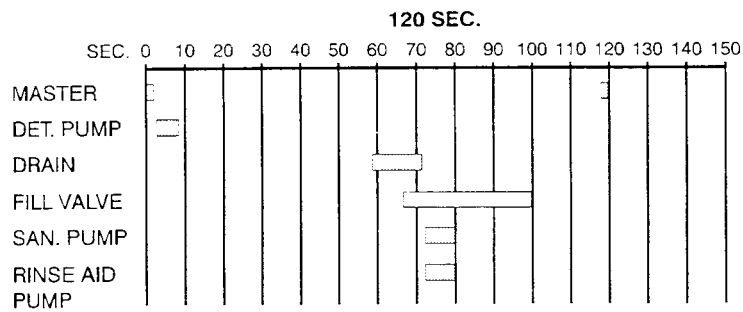
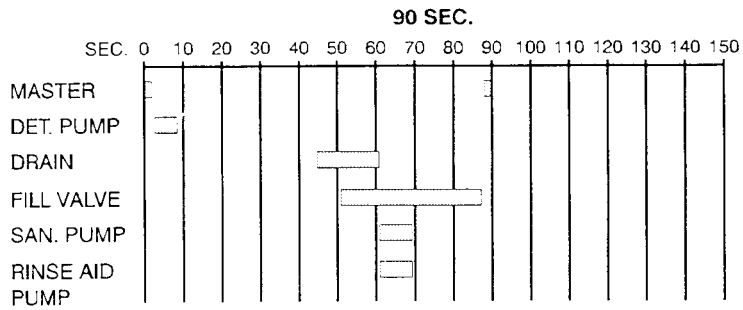
THE RIGHT SIDE OF THE CAM SHOULD ALWAYS REMAIN AT FACTORY SETTING.

Adjustment of the left side of each cam will determine the length of time that the solenoid valve is open or the chemical pump operates and thus controls the amount of water or chemical introduced into the machine.

Cams are adjusted using the special wrench which fits into notches on the side of the cam.

The chart below shows factory cam settings. The right side of the cam should always be at this factory setting but the left side may be changed to suit field conditions.

TIMER CYCLES



7.4.4 Anti-Vapor-Lock Modification

This modification should be implemented when water temperature is in excess of 160°F (71°C) then vapor lock is unlikely and surging of the pump and corresponding fluctuation in pressure is probably due to air leaks in the pump intake or through the anti-foam valve (See Burpwire section at back of book).

7.4.5 Instant Start Relay (3) Replacement

1. Unplug old relay from its socket.
2. Insert new relay.

7.4.6 Motor Relay (4) Replacement

1. One at a time, remove wires from the old relay and reconnect to the new relay.
2. Remove two mounting screws and nuts and old relay.
3. Put new relay into position and replace mounting screws and nuts.

7.4.7 Master Switch (12) Replacement - Models With Top Mount Control Box

1. One at a time remove wires from old switch and reconnect to corresponding terminals on new switch.
2. Remove retaining nut and switch.
3. Install new switch and retaining nuts.

7.4.8 Master Switch (12) Replacement - Models With Front Mount Control Box

1. Remove suction and discharge tubes from chemical pump in front of switch.
2. Loosen two mounting screws and remove pump from mounting brackets.
3. Disconnect wires from pump motor and set pump aside.
4. Remove locknut from Master Switch and pull switch out of the cabinet.
5. One at a time remove wire(s) from old switch and reconnect to new switch.
6. Install new switch and replace locknut.
7. Replace detergent pump.

7.4.9 Indicator Light Replacement - Model W Series Only

1. Bend retaining tabs and pull light assembly from cabinet leaving wires attached.
2. ONE AT A TIME disconnect wires from old light and connect to corresponding terminal of new light.
3. Inset new light assembly and bend retaining tabs to lock in place.

7.4.10 Chemical Pump Replacement

1. Remove suction and discharge tubes.
2. Loosen two mounting bolts and remove pump from mounting bracket.
3. Pull pump away from timer case and disconnect two wires.
4. Install new pump by reversing above procedure.

7.4.11 Replace Chemical Pump Tube (Squeeze Tube)

1. Remove suction and discharge tubes.
2. Remove four screws holding cover (13).
3. Remove chemical pump tube.
4. If rotor is to be replaced, remove the old rotor by loosening allen head set screw, install new rotor. Always install new Chemical Pump Tube when replacing rotor.
5. Remove tube clips and place on new tube.
6. Install the new tube by reversing the above procedure.

7.4.12 Lubrication Pad Replacement

1. With rotor in horizontal position, remove old pieces of lubrication pad.
2. Thoroughly clean the area where pad sits by scraping and using cleaning solvent.
3. Install new pad using a suitable contact cement.
4. After cement has thoroughly dried, lubricate pad using light oil such as "3 in 1".

7.4.13 Priming the Chemical Pumps

1. Turn off Master Switch (12).
2. Disconnect yellow wire from #1 Timer Switch.
3. Turn on Master Switch.
4. Manually rotate cam until the chemical pump to be primed starts to operate.
2. When priming is complete, rotate cam to next pump or to off position.
6. Turn off Master Switch and reconnect yellow wire.

7.5 FRESH WATER PLUMBING (65-XXXX)

Fresh water is introduced through a fitting in the wash pump intake where it is pumped through the spray arms for rinsing. Soapy water from the wash cycle is rinsed from the pump and spray system as well as from the dishes.

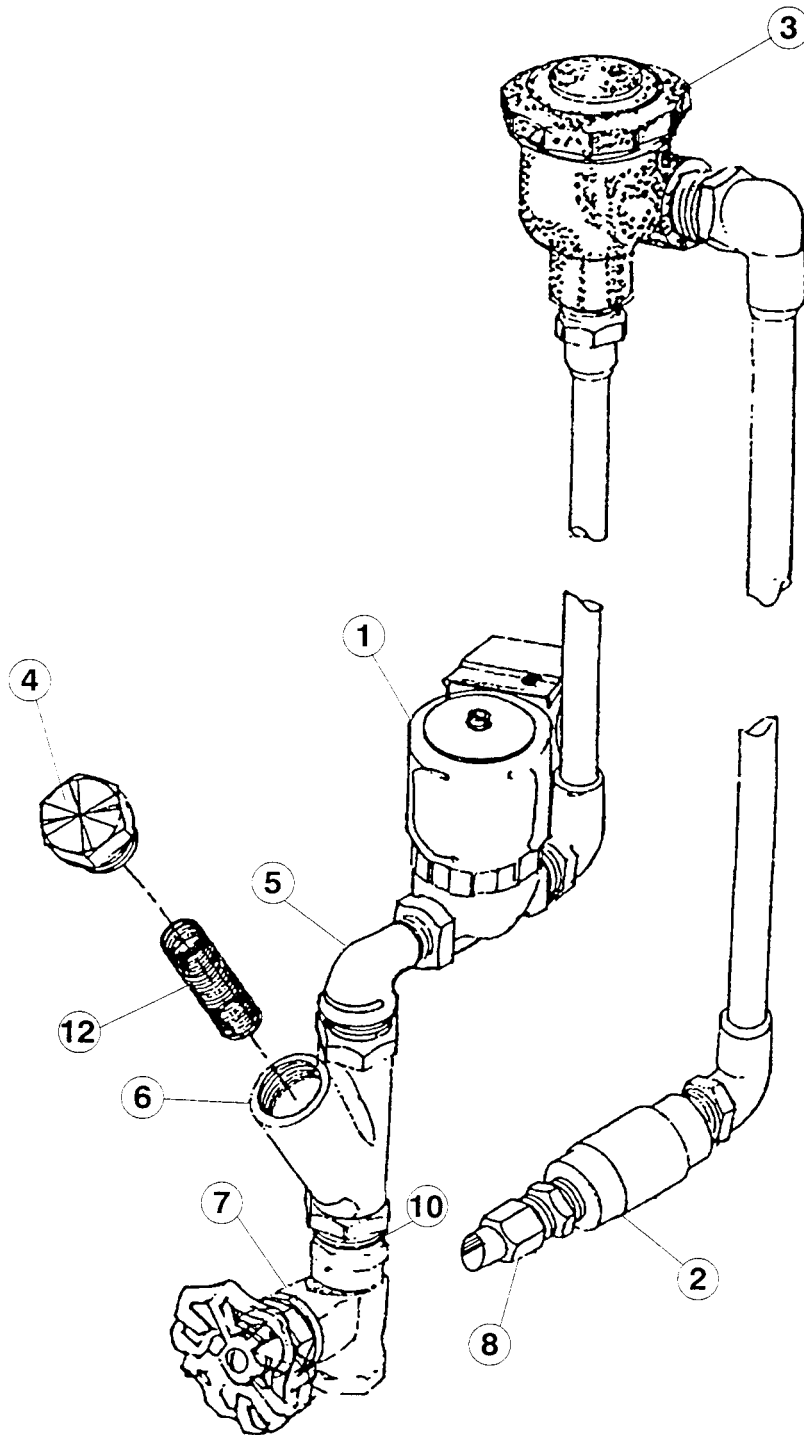
The check valve (2) prevents air from being sucked into the pump during the wash and rinse portions of the cycle.

A vacuum breaker valve (3) is located at the top of the machine and is required by all plumbing codes. Its purpose is to eliminate contamination of city water lines in the event that city water experiences a back-flow condition.

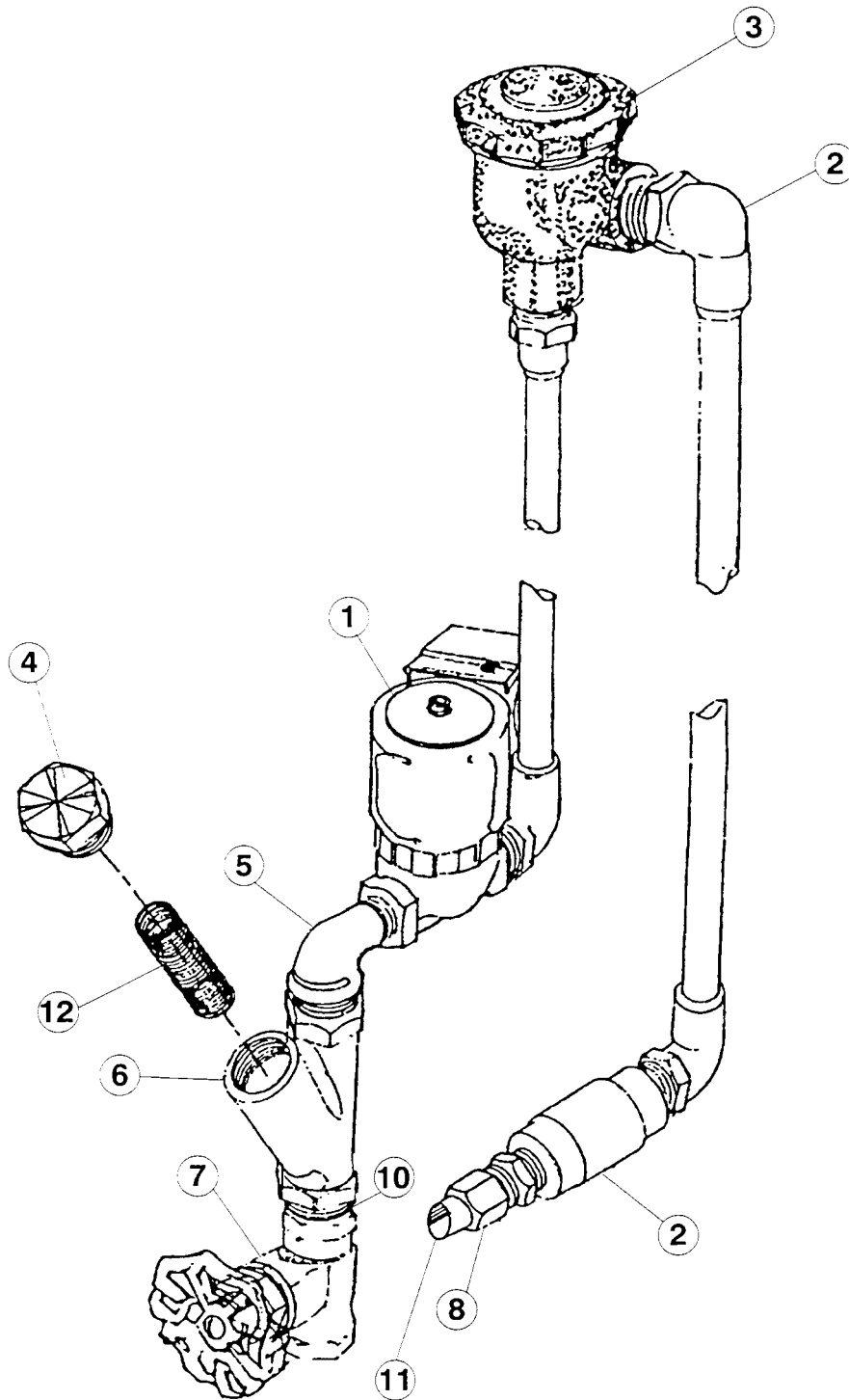
The solenoid valve (1) opens and closes at the appropriate time to pre-rinse and then fill the machine. It is activated by timer switch #4, the "FILL" switch.

A gate valve is installed to shut off water for service. A strainer filters out scale or rust particles which could jam the solenoid valve.

FRESH WATER PLUMBING ASSEMBLY (65-XXXX)

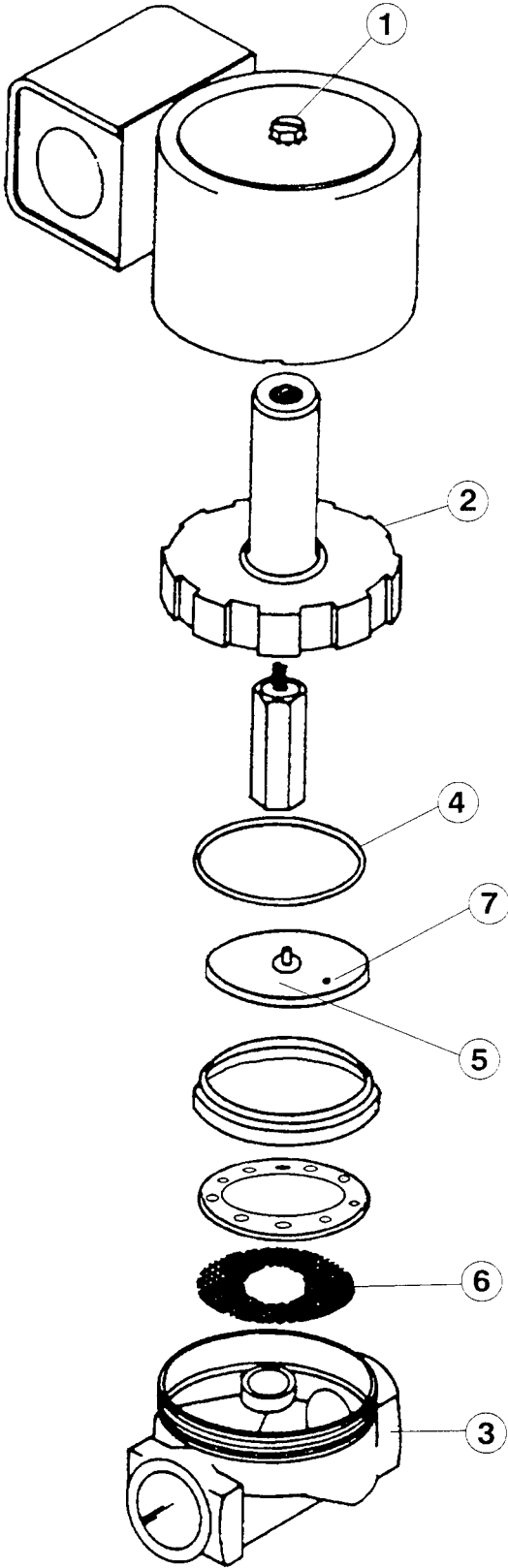


**FRESH WATER
PLUMBING ASSEMBLY
(65-XXXX)
MODELS 5AG, 5A, AF, & A**



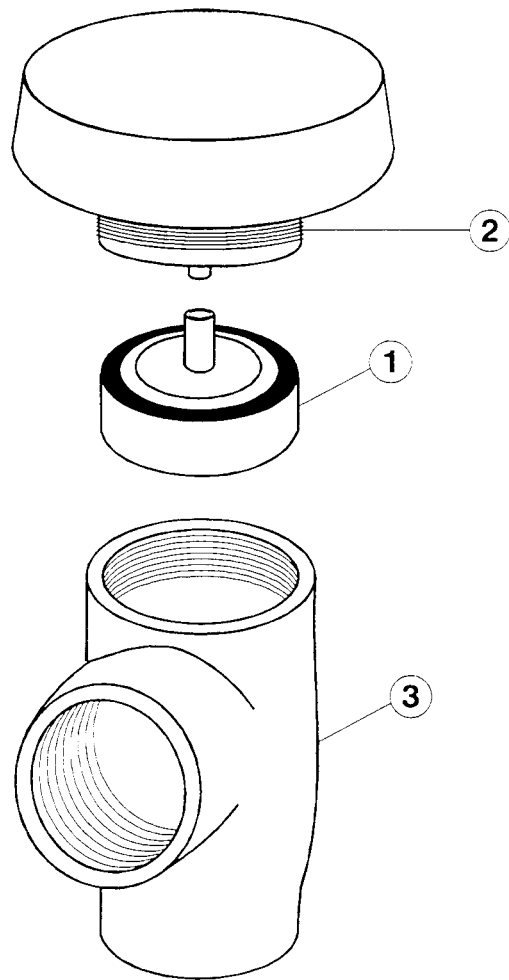
WATER SOLENOID

ALL MODELS



VACUUM BREAKER

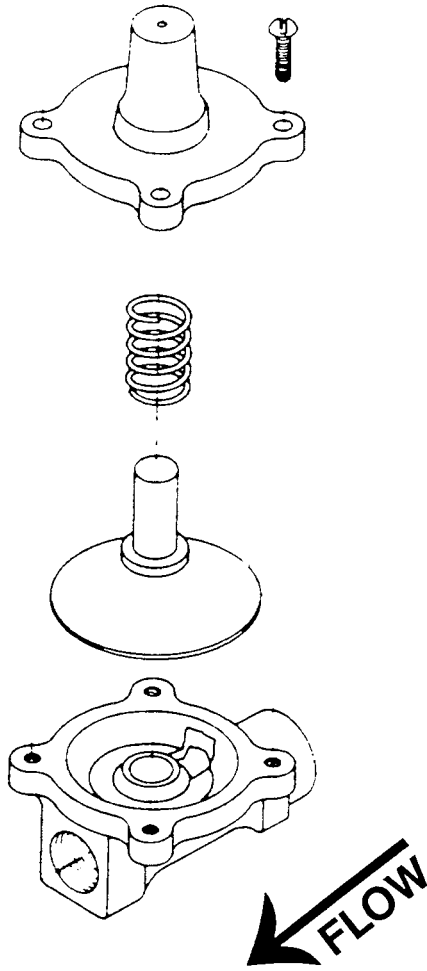
ALL MODELS



ANTI-FOAM VALVE

(65-XXXX)

ALL MODELS



7.5.1 Clean / Replace Strainer Screen

1. Shut off water.
2. Remove strainer cap (4).
3. Remove screen and inspect.
4. Slightly open shut-off valve to flush loose scale or dirt from the strainer housing.
5. If screen is clogged, soak in lime remover. If screen is damaged, replace.
6. Reassemble in reverse order.

7.5.3 Service Solenoid Valve Diaphragm

1. Shut off water with manual valve. NOTE: Relieve pressure by pushing fill switch momentarily.
2. Remove screw (1) and lift off solenoid coil.
3. Unscrew valve bonnet (2) using spanner or channel-locks. Insure that valve body (3) is held firmly to prevent damage to plumbing.
4. Remove bonnet (2), O-ring (4) and Diaphragm (5).
5. Clean screen (6) and valve body.
6. Inspect bleeder holes (7) for plugging and diaphragm for damage.
7. Reassemble in reverse order using new parts from diaphragm kit.
8. Clean strainer screen.

7.5.4 Replace Solenoid Valve Coil

1. Remove screw (1) on top of solenoid coil housing.
2. Remove coil.
3. Install coil on valve body and replace screw.

7.5.5 Overhaul Vacuum Breaker

1. Remove cap by turning counter-clockwise with channel-locks or pipe wrench.
2. Remove plunger (1) and gasket (2).
3. Clean gasket seat, plunger seat and stem using steel wool and lime remover.
4. Reassemble in reverse order using new plunger and gasket.

7.5.6 Overhaul Anti-Foam Valve

1. Remove four screws and lift off cover.
2. Clean plunger, bore and seat thoroughly using steel wool.
3. If seat is pitted replace entire valve using thread sealant or sealing tape at all joints.
4. If seat is in satisfactory condition, reassemble valve using a new diaphragm and spring.

7.6 DRAIN SYSTEM ASSEMBLY (66-XXXX)

The Drain System for Model A series and Model W series machines are shown on the following two pages. When the drain ball is in its lowest position, it seals against the seat (17) and prevents water from flowing out of the machine.

When actuated by Timer Switch #3, the drain solenoid raises the ball and allows water to flow out. On the Model A series machines the solenoid is located directly above the ball and connects with a chain. On Model W series machines the solenoid is located away from rising steam and is connected to the drain ball through a push rod linkage.

The drain casting also houses the sump screen and thermometer and connects to the pump intake.

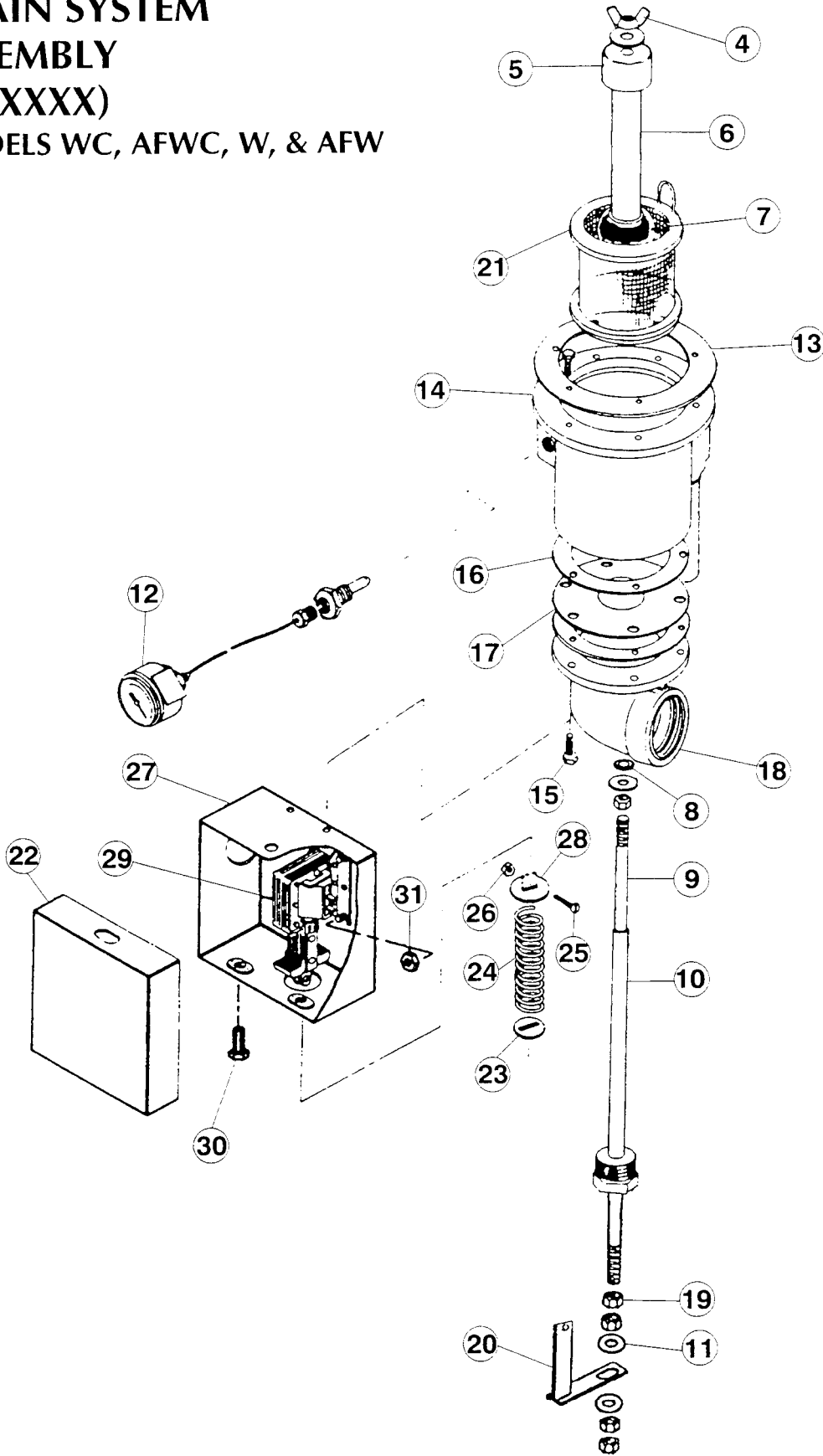
During the wash and rinse portions of the operation cycle, water flows into the drain casting, through the sump screen and into the pump intake. Food particles collect on the sump screen during the wash period and are carried away when the drain ball lifts and water flows over the screen to drain.

DRAIN SYSTEM

ASSEMBLY

(66-XXXX)

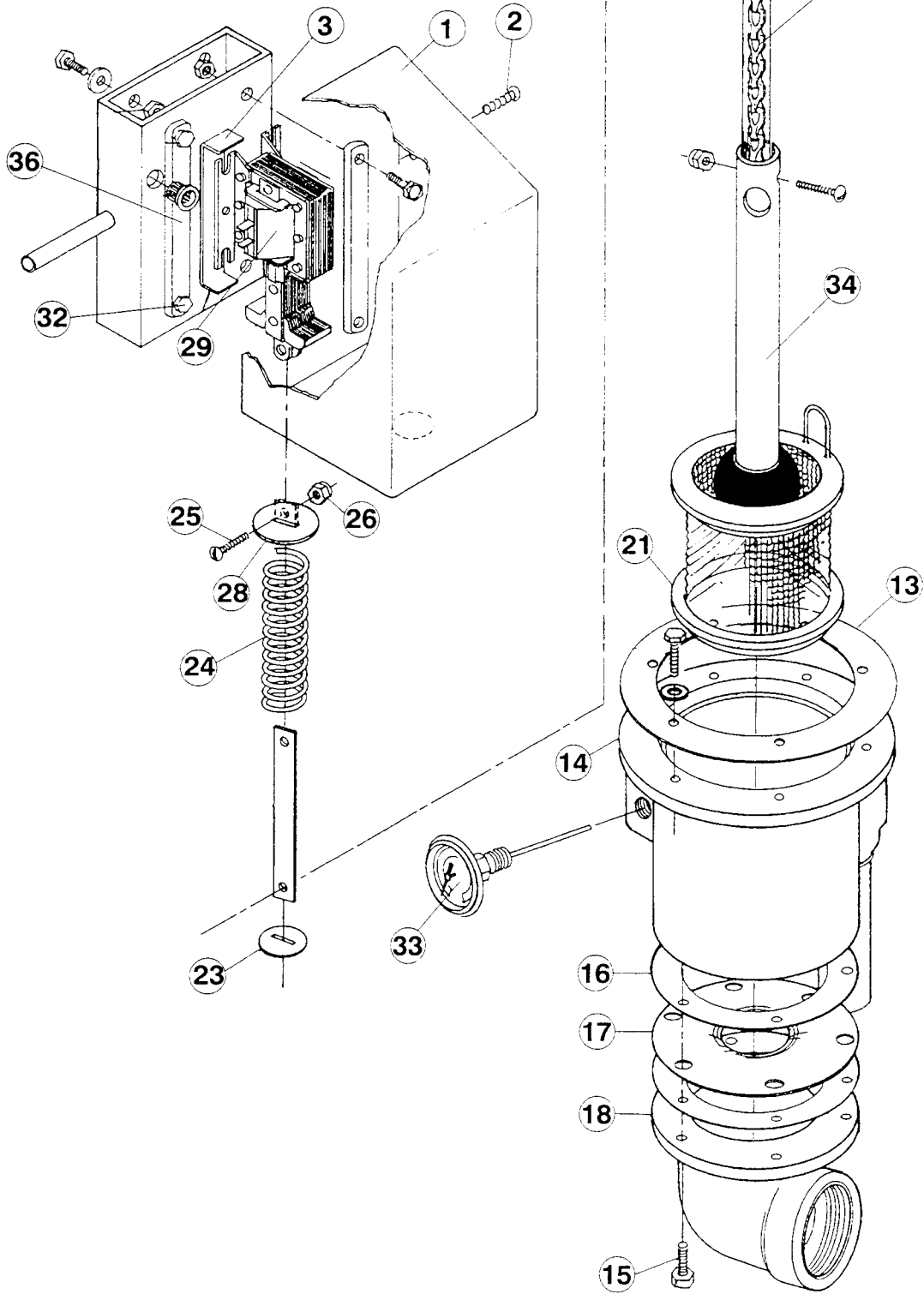
MODELS WC, AFWC, W, & AFW



DRAIN SYSTEM ASSEMBLY

(66-XXXX)

MODELS AF, A, 5AG, 5A, AC, & AFC



7.6.1 Cleaning the Sump Screen

1. Remove and clean screen (21) in accordance with Daily Maintenance Procedures, Section 2.2.
2. Inspect for lime build-up, and clean with lime remover if required.
3. Reassemble.

7.6.2 Replace Drain Plug

1. Remove screw holding drain plug (6 or 34) assembly to chain (35).
2. If the ball only is to be replaced, pull old ball from end of tube. Press new ball over drain tube using soap for lubrication.
3. Reinstall drain tube.

7.6.3 Drain Seat Replacement

1. Remove six bolts holding drain elbow (15) to sump.
2. Separate elbow from sump and remove old gaskets and seat.
3. Thoroughly clean and scrape sealing surfaces of sump and elbow.
4. Install new seat using new gaskets. Use gasket sealing compound or RTV Silicone Sealant on both sides of both gaskets.
5. Replace six bolts.

7.6.4 Replace Thermometer (Model W Series)

1. Remove sensor from sump using an open end wrench to turn locknut and another wrench to hold nipple.
2. Remove locknut from dial.
3. Remove old thermometer.
4. Install new thermometer by reversing the above procedure. Use thread sealant or sealing tape on sensor locknut threads.

7.6.5 Replace Thermometer (Model A & 5 Series)

1. Remove old thermometer (11) from sump using open end wrench.
5. Install new thermometer. Seal threads with pipe sealant or sealing tape.

7.6.6 Drain Solenoid Adjustment (Model A Series)

1. Remove two screws and solenoid cover (1).
2. Manually lift the solenoid armature (29) to insure that it moves freely through its stroke. If armature is not free, replace solenoid.
3. Loosen four bolts (32) and slide solenoid up or down until drain ball is resting on the seat and there is slight slack in the chain.
4. Tighten bolts (32).
5. Install solenoid cover (1).

7.6.7 Drain Solenoid Adjustment (Model W Series Prior to 1982)

1. Remove screw between link and outer arm.
2. With drain ball firmly seated, move link towards solenoid box until spring pressure is encountered. Move link slightly further until a set of holes in link lines up with hole in outer arm. Insert screw.
3. Check adjustment. Drain ball should lift above seat at least 3/8" when solenoid is fully retracted and should seat firmly and seal with solenoid extended.
4. Readjust as required.
5. Tighten four bolts and replace cover.

7.6.8 Repair Linkage (Model W Series Prior to 1982)

1. Inspect linkage for binding and damage.
2. Remove Stopper Rod.
3. Remove screw connecting link to outer arm (20).
4. Remove nut, inner arm, and outer arm.
5. Remove nut and bushing.
6. Remove three bolts holding solenoid box and remove.
7. Remove plug and screw connecting link with solenoid.
8. Inspect all parts for wear and replace as required. Always use a new O-ring.
9. Reassemble in reverse order.

7.6.9 Solenoid or Link Replacement (Model W Series Prior to 1982)

1. Remove screw attaching link to outer arm.
2. Remove three bolts (18) and solenoid box.
3. Remove plug, screw and link.
4. If solenoid requires replacement, remove bolts and solenoid.
5. Replace worn or damaged parts and reassemble in reverse order.

7.6.10 Solenoid Replacement (Model A & 5 Series)

1. Remove screws (2) and solenoid cover (1).
2. Remove screw (25) holding link to solenoid armature.
3. Disconnect two wires from solenoid coil.
4. Remove four bolts (32), retaining bar (36), stop (3) and solenoid (29).
5. Install new solenoid in reverse order.

7.6.11 Drain Ball Adjustment (Model W and ET Series 1982 and Newer)

1. Unscrew wingnut (4) and remove drain tube assembly (6) from drain rod (9).
2. Using a 7/16" wrench, turn 1/4-20 nut clockwise to lower drain ball and counter clockwise to raise the drain ball.
3. Reassemble in reverse order. (Note: Never adjust drain ball height down at the 'L' bracket (20). After adjustments, verify machine holds water while idle and completely drains tank during cycle.)

7.6.12 Drain Linkage Adjustment (Model W and ET Series 1982 and Newer)

1. Loosen 1/4-20 nuts below the 'L' bracket (20).
2. Spin push rod (9) to verify it is straight (if bent, replace).
3. Adjust the slotted hole on the 'L' bracket (20) so that it travels up and down with the push rod (9).
4. Tighten 1/4-20 nuts. Recheck 'L' bracket (20) and push rod (9) for free travel up and down.
5. Check drain ball adjustment. If adjustment is needed see 7.6.11

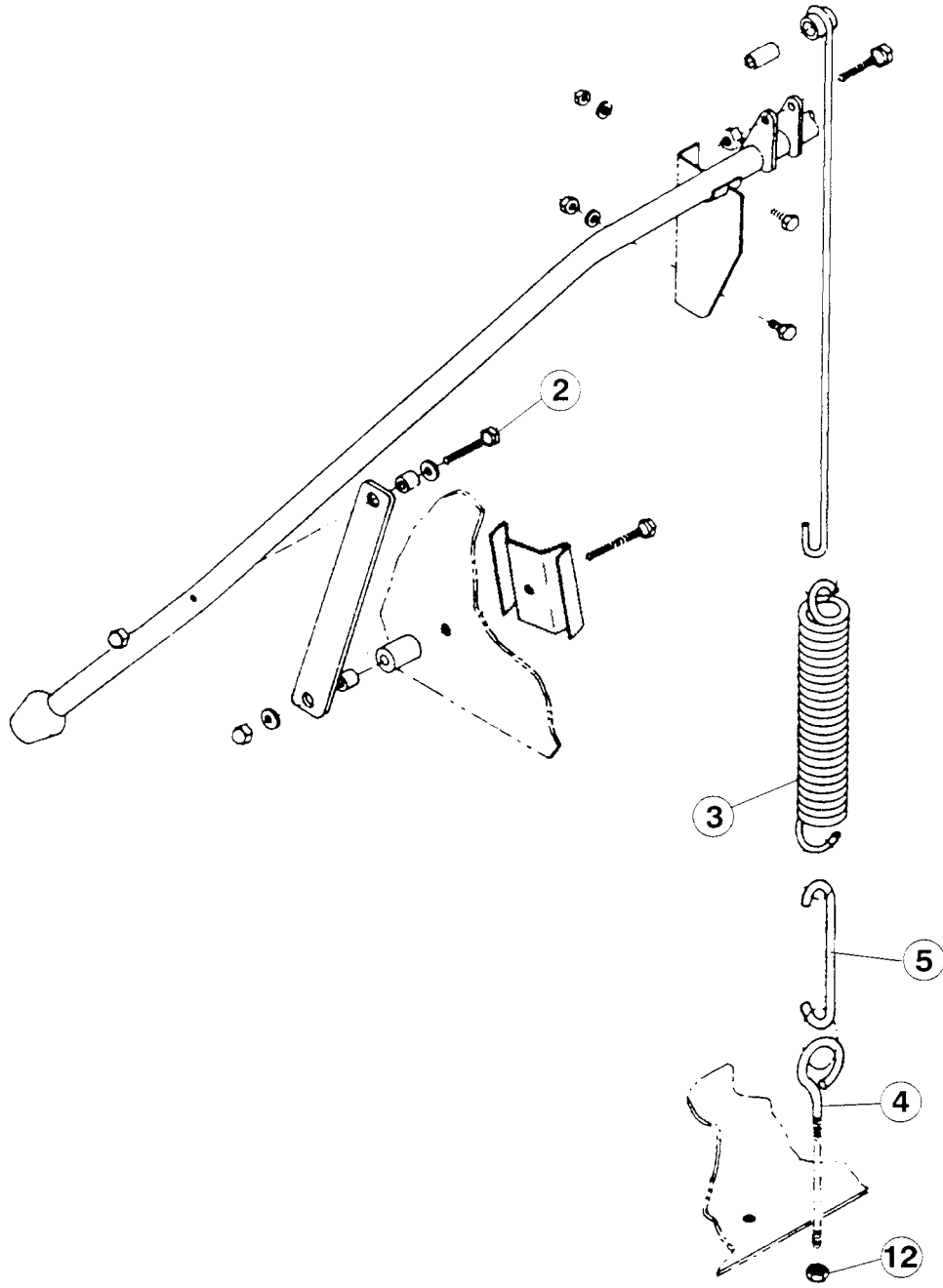
7.7 DOOR ACTUATOR ASSEMBLY (67-XXXX)

The door actuator on all models consists of a spring loaded arm linked to the doors. The mechanism is designed to maintain the door in either the open or closed position and to assist operator effort as doors are raised.

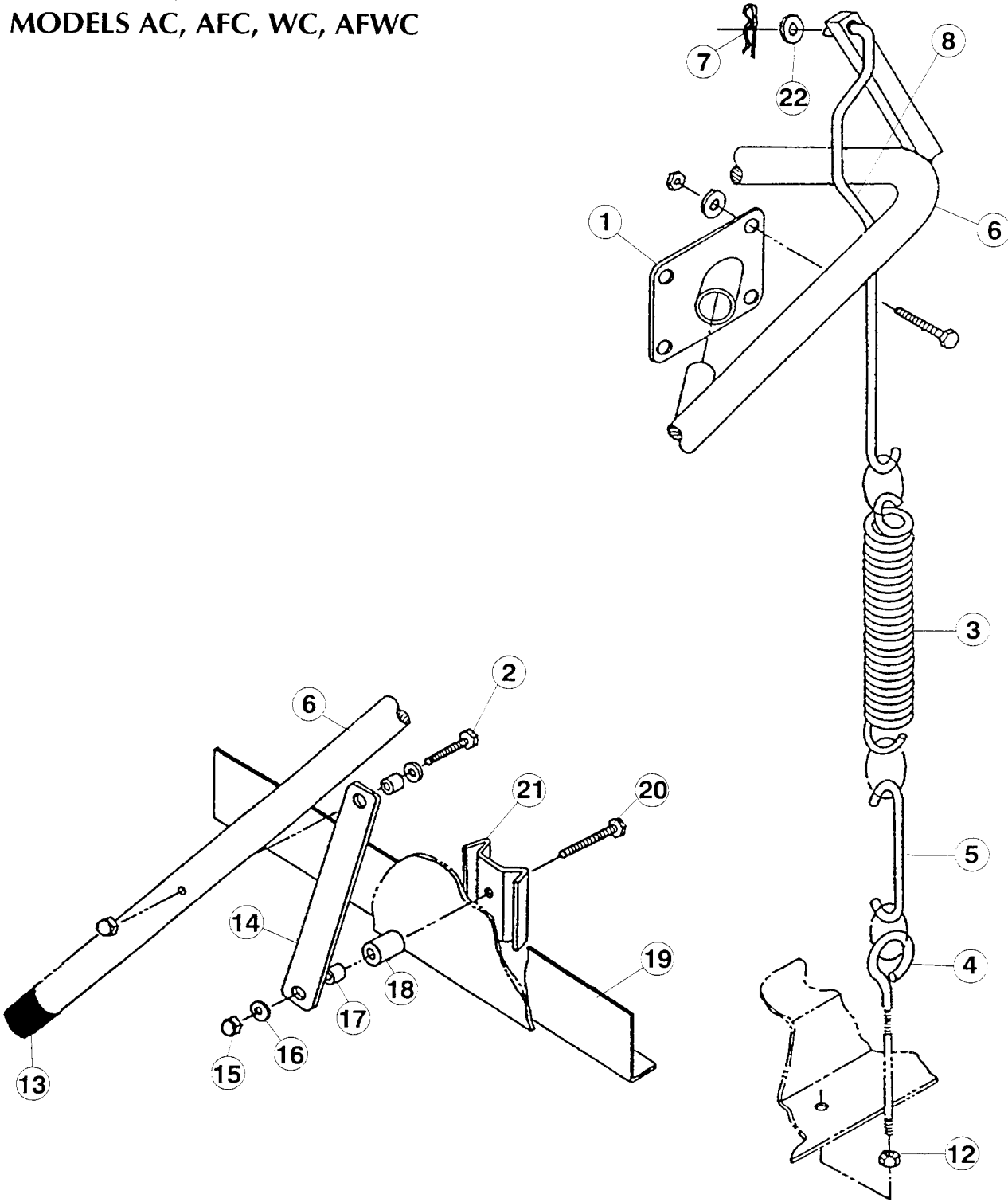


DOOR ACTUATOR ASSEMBLY (67-XXXX)

MODELS W, AFW, 5AG, 5A, AF, & A



**DOOR ACTUATOR
ASSEMBLY
(67-XXXX)
MODELS AC, AFC, WC, AFWC**



7.7.1 Spring Adjustment

1. Turn nut (12) to increase or decrease tension. Insure that both springs are adjusted evenly on pass thru models.
2. Check adjustment by operating door. The door should remain raised when placed in the raised position and remain lowered when placed in the closed position.

7.7.2 Linkage Repair

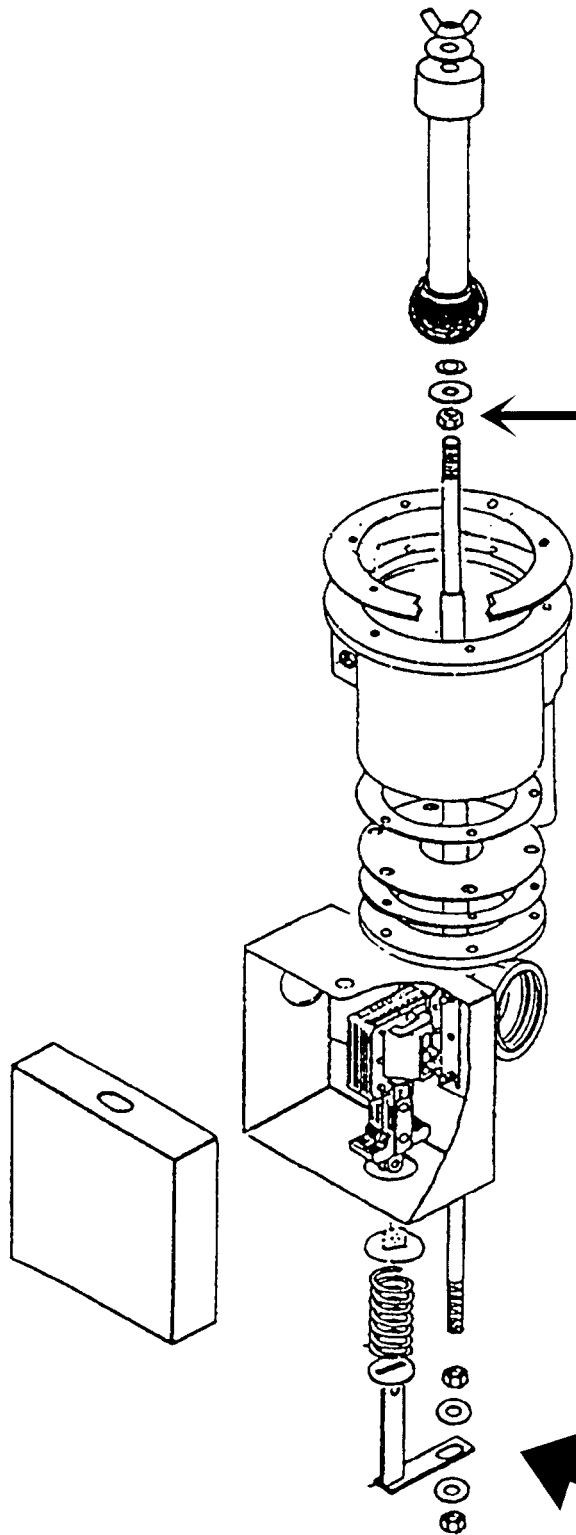
1. Remove bolt attaching door links (2) to doors.



2. Carefully raise door operating arm to vertical position to release spring tension.
3. Attach a 4" turnbuckle between the spring (3) and the eye-bolt (4) and tighten until spring hook (5) is free.
4. Loosen turnbuckle until spring tension is relieved.
5. Repeat steps 3 and 4 for opposite spring.
6. Inspect all parts for wear, binding or damage and replace as required.
7. Reassemble in reverse order.
8. Adjust per 7.7.1.

9.0 SERVICE BULLETIN

Cautions on Inside Sump Drain Systems (ET-AF, AFW & AFWC)



A. Unscrew wingnut and remove drain tube assembly from drain rod.

B. Using a 7/16" wrench, turn 1/4-20 nut clockwise two complete turns and re-assemble. This procedure regulates water flow to the drain, thus eliminating back pressure. If two complete turns does not eliminate the back pressure leak, repeat procedure to obtain desired results. CAUTION: Make sure when making adjustments that machine completely removes all water from tank in the drain cycle mode.

1. Drain should be plumbed with 1 1/2" pipe or larger. Do not reduce pipe. If necessary to reduce pipe, do it as far away from machine as possible.

2. Drain should be plumbed straight out 8" before making any turns. If unable to plumb straight out, then try to adapt to a larger pipe before making any turns.

3. Do not connect to a slow running or a plugged drain.

4. If your installation dictates that you cannot follow the recommended procedures (1- 3), then the above drain adjustment may be necessary.

5. Do not operate machine with the water level too high. (Not above the brass wing nut on the drain tube.)

6. DO NOT PLUMB DRAIN UPHILL.

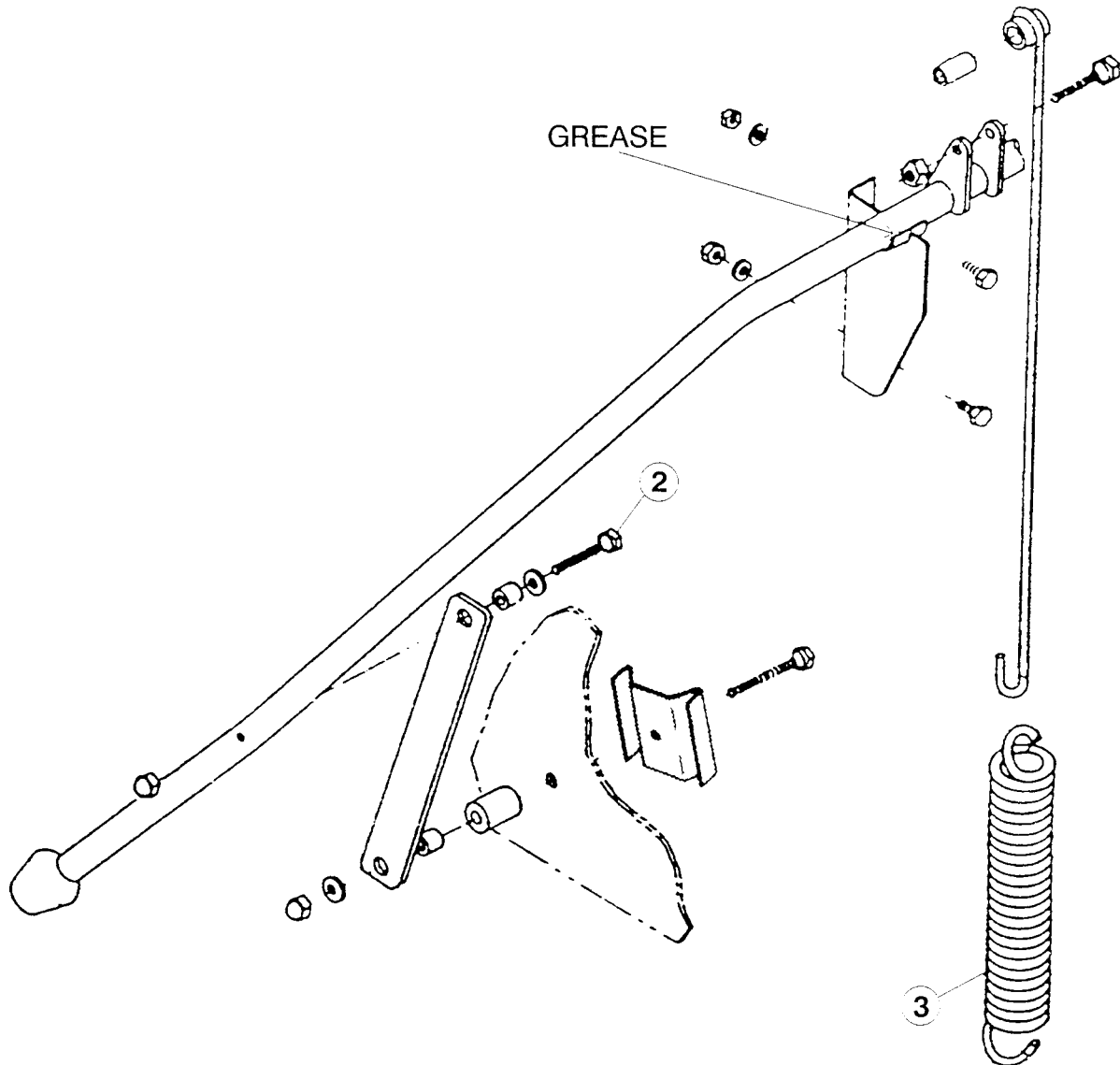
IMPORTANT:

CHECK FOR BENT OR BINDING ROD AND LINK. ADJUST FOR SMOOTH TRAVEL UP & DOWN.

LUBRICATION

The door arm pivots or support brackets have a half round saddle that the door arm handle rotates on.

This area is lubricated during manufacturing. It is also recommended that occasional lubrication be used for this area. This will increase the life of the handle and pivot material.



BURPWIRE

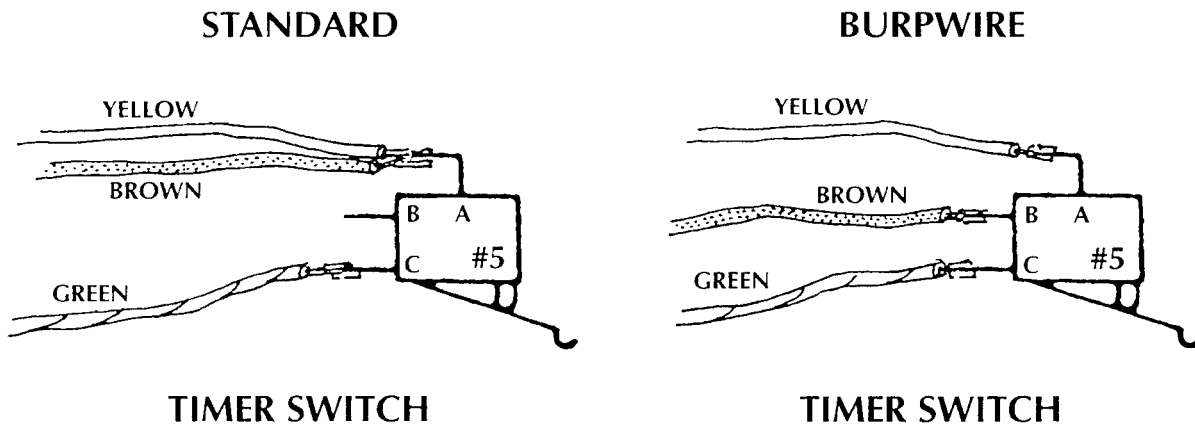
To wire an ADS, batch-type machine for a burp cycle, the following procedure has been prepared:

On the top terminal of the sanitizer micro-switch (5th cam from the left) there are two wires joined together by connector. These are the yellow and brown coded wires.

Remove these wires from the switch and separate the terminal connectors. Replace the yellow to the original top terminal on the switch and move the brown wire down to the middle terminal. Make sure that these wires and terminals do not touch one another.

Now, as you look at the wires on the sanitizer switch they should now be yellow on top, brown on the middle and green on the bottom terminal.

The motor will now stop during the sanitizer / rinse aid and fill sequence and start again to finish the rinse. This will allow air to escape the pump that has been trapped by excessive heat (above 150° F) or pressure dynamics of the water.



WARNING: Dishwasher pump will shut off for a few seconds during cycle. Inform operator to not open the door until entire cycle is finished.

American Dish Service

*Manufacturer of low and high temperature
Commercial Dishwashers and Glasswashers*

900 Blake Street
Edwardsville, Kansas 66111
Ph:(913) 422-3700
Fax:(913) 422-6630